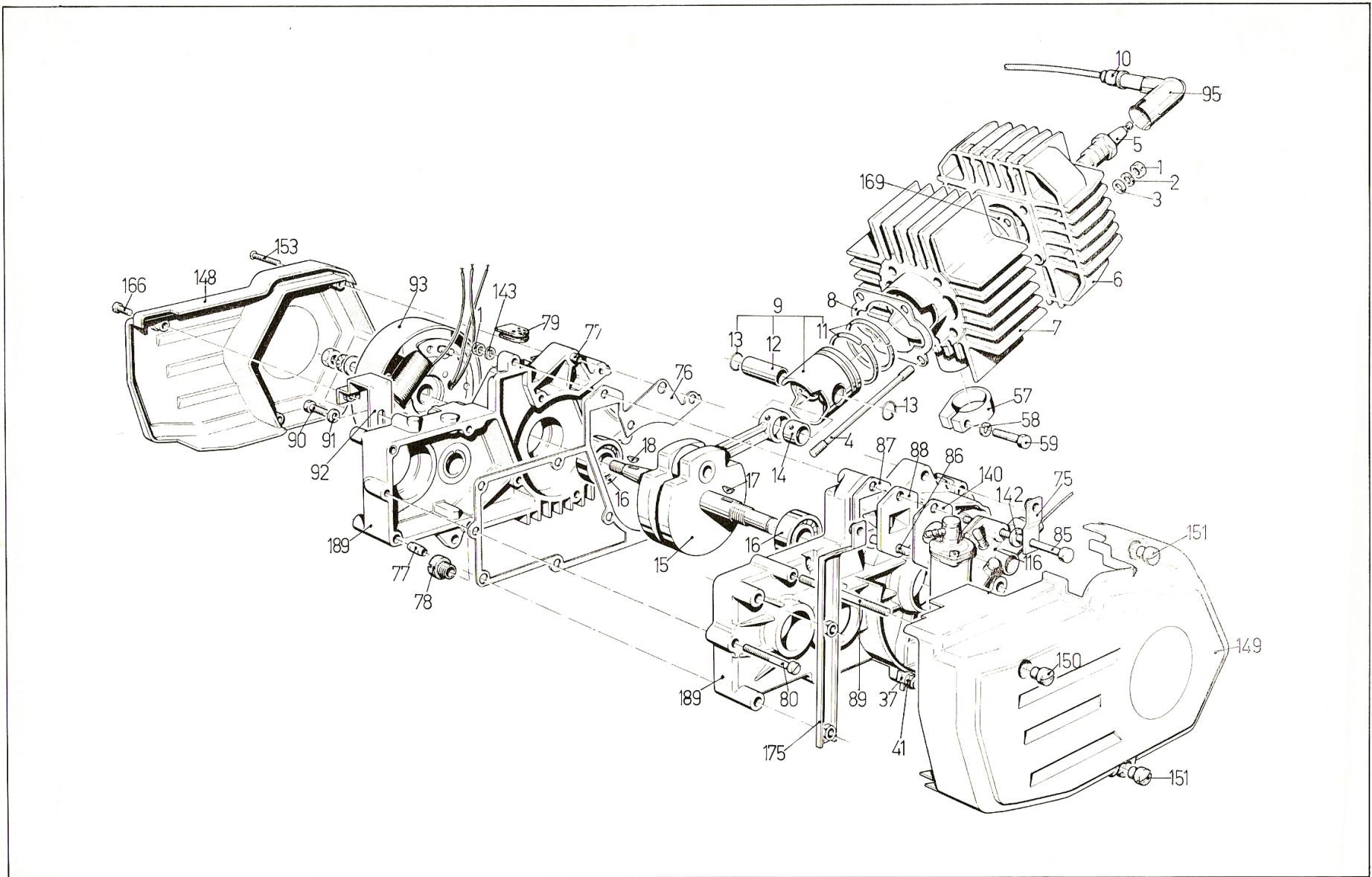




SPARE-PARTS LIST M 56
20-25-30 mph

LAURA MOTOREN B.V.
EYGELSHOVEN - HOLLAND

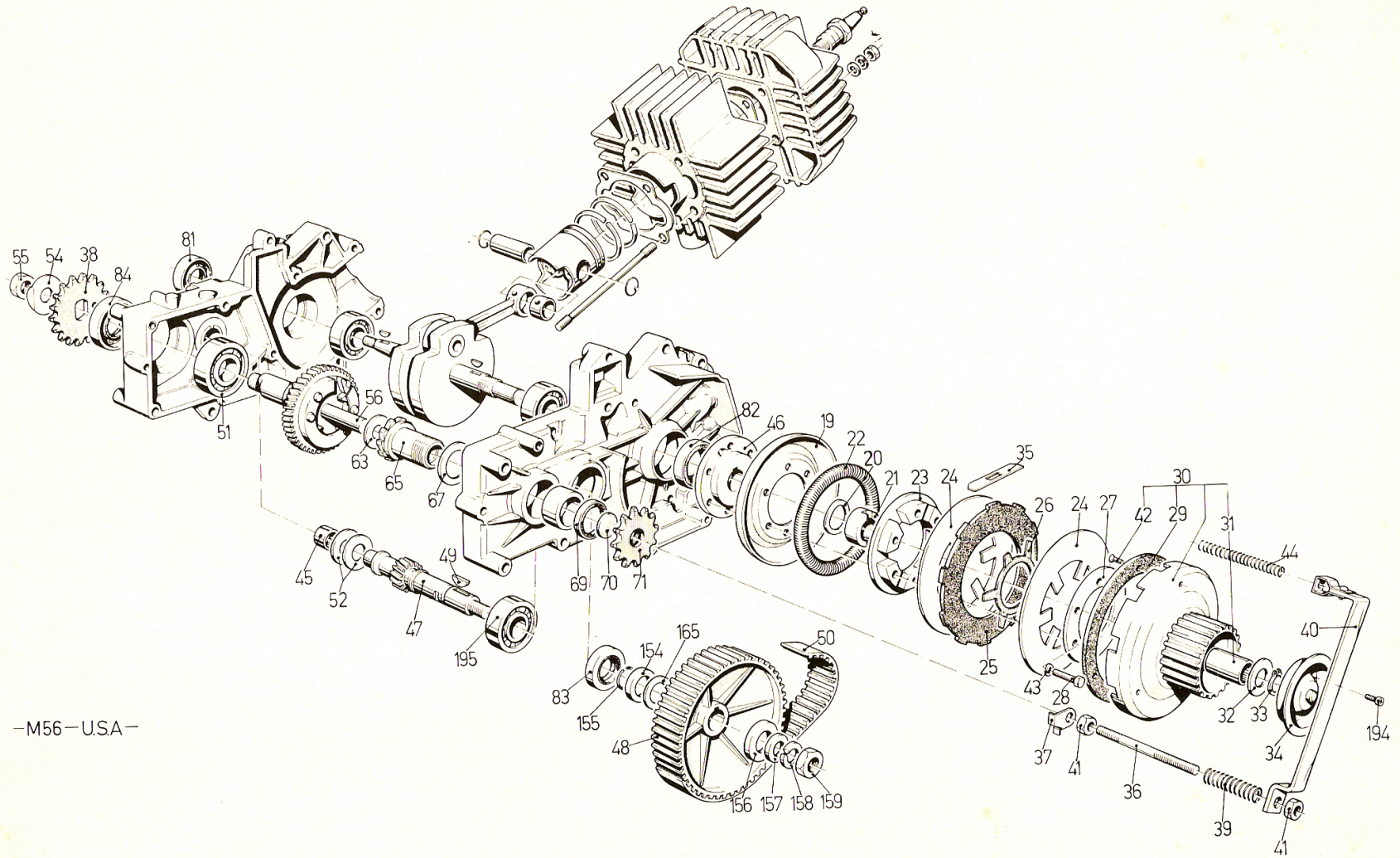
Laurastraat 78 - Tel. 045-351241 - Telex 56189 - Telegr. Laura Heerlen



Pos. nr.	Part no.	Description
1	827600	Nut
2	846600	Spring washer
3	847600	Washer
4	829682	Cylinderstud
5	481883	Sparkplug
6	540681	Cylinderhead 20 mph. and 25 mph.
	540695	Cylinderhead 30 mph.
7	560688	Cylinder 20 mph.*
	540680	Cylinder 25 mph.*
	540685	Cylinder 30 mph.*
8	490682	Cylinder base gasket
9	540580	Piston*
10	561895	Bobbin net
11	480502	Pistonring
12	480501	Wrist pin
13	841520	Circlips
14	480325	Little end bush (Batavus)
15	560381	Crankshaft
16	810080	Ball bearing
17	830000	Cluth hub key
18	830001	Flywheel key
57	541685	Exhaust pipe clamb
58	846600	Spring washer
59	820635	Screw
75	561789	Fastening clip
76	490181	Crankcase gasket
77	490189	Centring bush
78	490186	Oil fill and drain plug
79	560185	Rubber grommet
80	823505	Screw
85	820675	Screw
86	829606	Stud
87	491784	Reed valve gasket
88	481783	Reed valve
89	829510	Stud
90	820501	Screw
91	847520	Washer

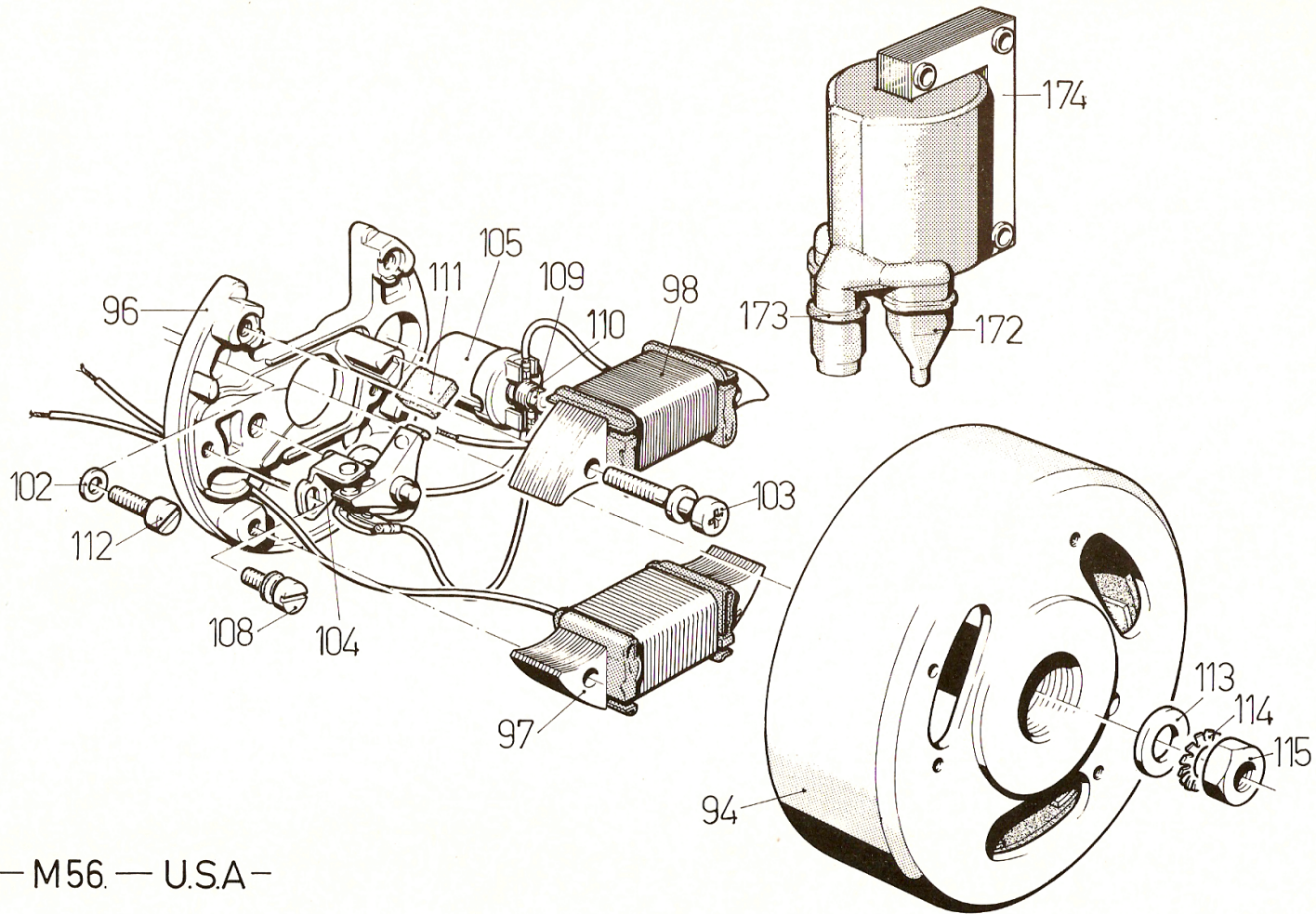
Pos. nr.	Part nr.	Description
92	560292	Fastening clip for engine cover
93	561885	Magneto cpte
95	481890	Sparkplug cover
116	561782	Carburettor H12 25 mph. and 30 mph.
	561787	Carburettor H8 20 mph.
140	491797	Gasket
142	491795	Insulation washer
143	843600	Ondulated washer
148	560213	Cover left (magn. side)
149	560210	Cover right (clutch side)
150	560291	Cap nut M5
151	560290	Cap nut M6
153	823435	Screw M4
166	823512	Screw M5
169	540692	Cylinderhead gasket
175	561788	Fastening clip
189	560194	Engine housing 20 mph.
	560180	Engine housing 25 mph. and 30 mph.

* When ordering a cylinder or piston pay attention to the letter (A, B, C, D, E of F) on the top-surface of the cylinder respectively on the bottom of the piston.
Only piston and cylinder with identical letter may be assembled together!



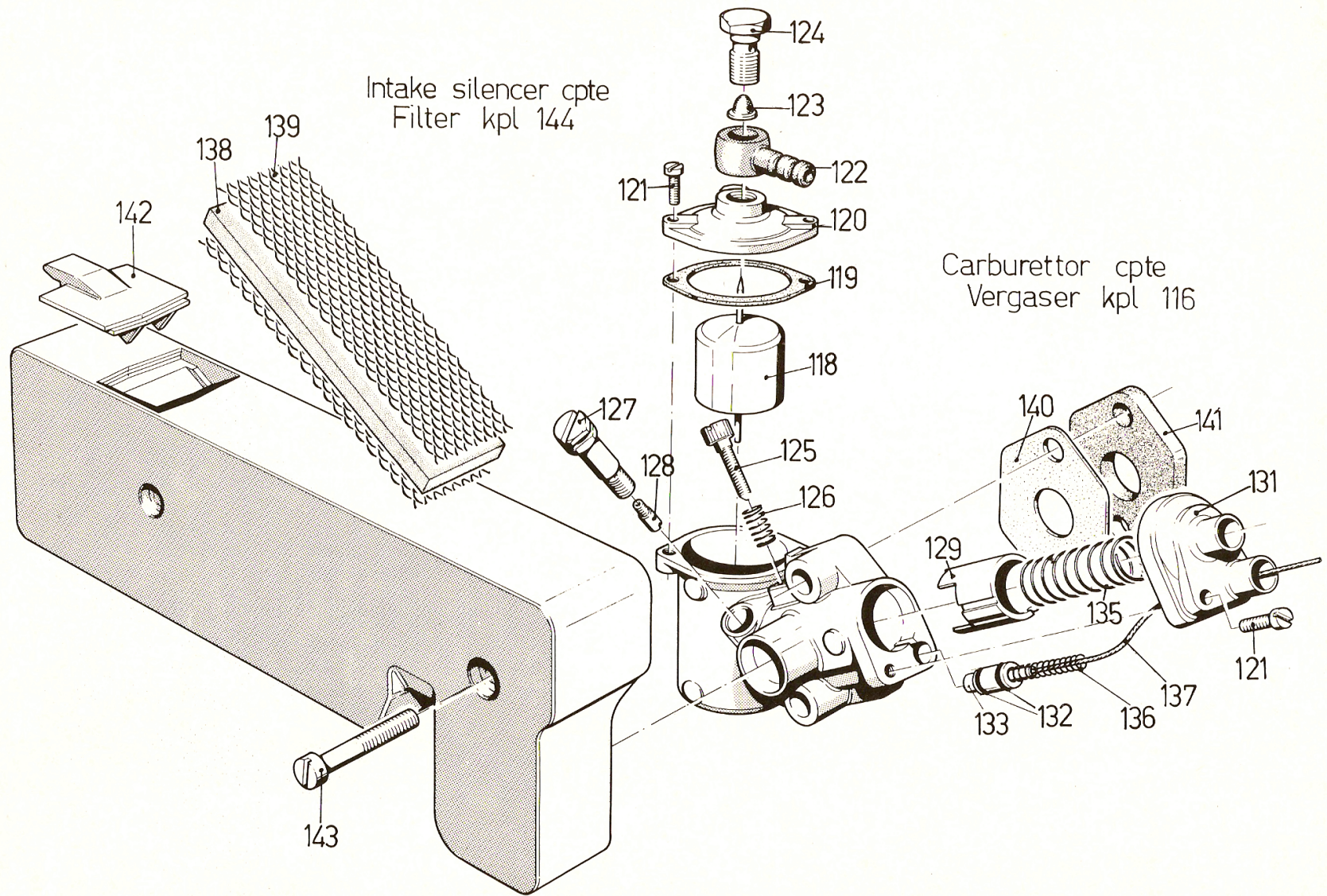
-M56-U.S.A.-

Pos. nr.	Part nr.	Description	Pos. nr.	Part nr.	Description
19	540882	Clutch saucer	55	828200	Nut
20	560395	Ondulated washer	56	561098	Lay shaft
21	490390	Disk nut	63	491088	Shim
22	540886	Clutch spring	65	561082	Ratchet wheel
23	540803	Clutch hub	67	491086	Shim
24	540898	Pressure plate	69	816282	Oil seal
25	480889	Clutch plate	70	491087	Closing plate
26	540899	Star spring	71	561092	Chain wheel
27	480890	Locking plate	81	816187	Oil seal
28	820509	Screw	82	816384	Oil seal
29	540809	Friction disk	83	816186	Oil seal
30	560890	Clutch housing cpte.	84	816284	Oil seal
31	813090	Needle bearing	154	491387	Ring
32	490813 490814	Shim 0.8 or 0.5 mm thickness	155	491386	Locking springring
33	841505	Circlip	156	848015	Washer
34	560892	Thrust saucer	157	848012	Washer
35	480892	Leaf spring	158	847000	Spring washer
36	829605	Stud	159	828000	Nut
37	490293	Supporting plate	165	561388	Washer
38	561096	Chain wheel 13 teeth 20 mph.	194	820308	Screw
	561097	Chain wheel 17 teeth 25 mph. and 30 mph.	195	810080	Ball bearing
39	490886	Spring			
40	490980	Starter leaf spring			
41	827610	Nut			
42	836103	Rivet			
43	843500	Ondulated washer			
44	490835	Spring			
45	813088	Needle bearing			
46	560883	Steel hub			
47	561385	Driving shaft			
48	561590	Toothbelt wheel			
49	830004	Key			
50	560891	Toothbelt			
51	810182	Ball bearing			
52	490813	Shim			
54	840011	Lock washer			

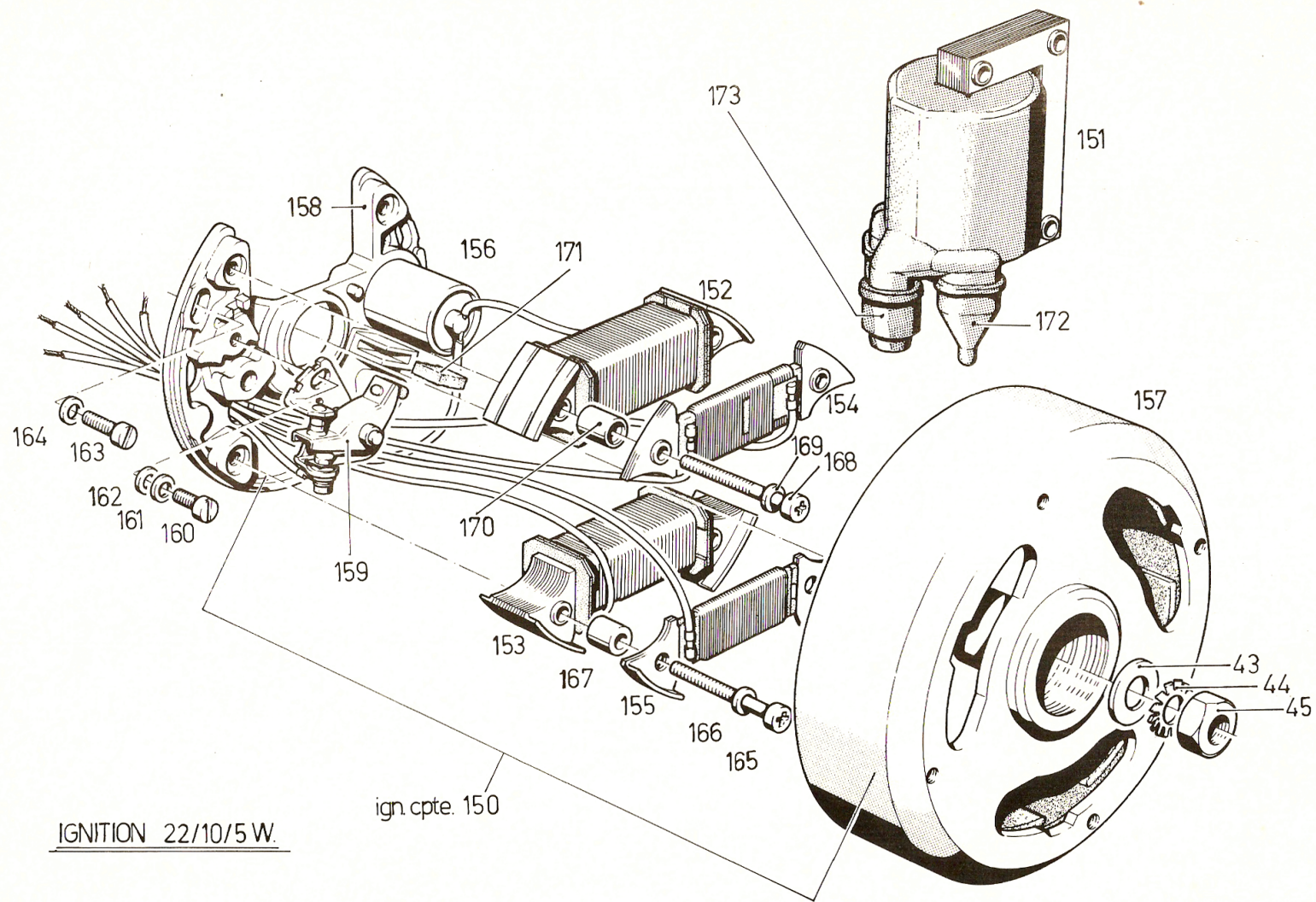


— M56. — U.S.A. —

Pos. nr.	Part nr.	Description			
94	561841	Flywheel			
96	561842	Baseplate cpte.			
97	561849	Lighting coil			
98	561845	L.T. coil			
102	843400	Ondulated washer			
103	823422	Screw (Combi)			
104	561826	Breaker set			
105	561830	Condensor			
107	843400	Ondulated washer			
108	823708	Screw (Combi)			
109	827300	Nut			
110	846400	Spring washer			
111	481834	Oil felt			
112	823400	Screw			
113	848008	Plain washer			
114	844508	Toothed washer			
115	827708	Nut			
172	481898	Net			
173	481899	Bobbin net			
174	481857	H.T. coil			



Pos. nr.	Part nr.	Description			
116	561782	Carburettor H12 25 mph. and 30 mph.			
	561787	Carburettor H8 20 mph.			
118	481736	Float			
119	481737	Gasket			
120	561741	Float chamber cover			
121	481739	Screw			
122	481740	Banjo			
123	481741	Strainer			
124	481742	Banjo bolt			
125	561740	Adjusting screw			
126	481747	Spring			
127	491722	Jet holder			
128	566756	Jet no. 56 25 mph. and 30 mph.			
	566746	Jet no. 46 20 mph.			
129	561748	Throttle valve 25 mph. and 30 mph.			
	561742	Throttle valve 20 mph.			
131	561721	Cover			
132	561745	O-ring			
133	561743	Choke piston			
135	481759	Spring			
136	491724	Spring			
137	561747	Choke cable			
138	561713	Foam rubber			
139	561714	Filter gauze			
140	491797	Gasket			
141	491796	Insulation flange			
142	561707	Cover			
143	823514	Screw			
144	561795	Intake silencer cpte.			



Ignition 29/5 W

Valid for: 20 mph. engines to nr. 772302
 25 mph. engines to nr. 779301
 30 mph. engines to nr. 780501

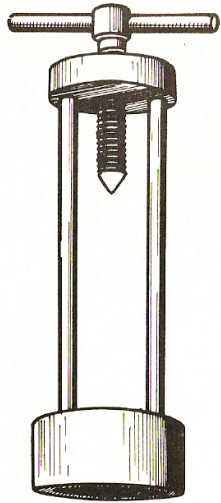
For engine nrs. exceeding the above mentioned,
 the ignition has been replaced by the ignition
 shown on page 8^a and 9^a

Pos. nr.	Nr.	Benaming	Description
152	481825	Ontstekingsspoel	High tension coil
153	481841	Lichtspoel 29 W.	Lighting coil 29 W.
154	481845	Lichtspoel 5 W.	Lighting coil 5 W.
155	481840	Condensator	Condensor
156	481843	Vliegwiël	Flywheel
157	481842	Grondplaat kpl.	Baseplate cpte.
158	481826	Contactpunten set	Contact breaker points set
159		Schroef	Screw
160		Golfring	Ondulated washer
161		Onderlegschiif	Plain washer
162		Schroef	Screw
163		Onderlegschiif	Plain washer
164		Schroef	Screw
165		Onderlegschiif	Plain washer
166		Schroef	Screw
167		Onderlegschiif	Plain washer
168		Afstandsbus	Distance tube
169	481834	Smeerviltje	Oil felt
170	481824	Kabeltule	Bobbin net
171	481823	Bougiekabel	H.T. lead

Ignition 22/10/5 W

Valid for: 20 mph engines from nr. 772302
 25 mph engines from nr. 779301
 30 mph engines from nr. 780501

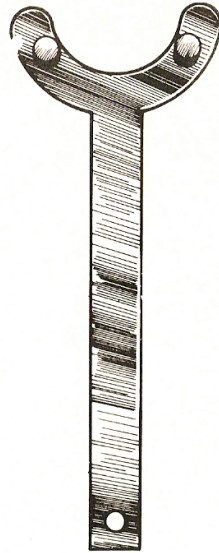
Pos. nr.	Nr.	Benaming	Description
150	481895	Ontsteking kpl.	Ignition cpte.
151	481857	Bobine	H.T. coil
152	481851	Ontstekingspoel	Ignition coil
153	481855	Lichtspoel 22 W.	Lighting coil 22 W.
154	481854	Lichtspoel 10 W.	Lighting coil 10 W.
155	481856	Lichtspoel 5 W.	Lighting coil 5 W.
156	481840	Condensator	Condensor
157	481853	Vliegwiel	Flywheel
158	481852	Grondplaat kpl.	Baseplate cpte.
159	481826	Contactpunten set	Contact breaker point set
160		Schroef	Screw
161		Golfring	Ondulated washer
162		Onderlegschiif	Plain washer
163		Schroef	Screw
164		Onderlegschiif	Plain washer
165		Schroef	Screw
166		Onderlegschiif	Plain washer
167		Afstandsbus	Distance tube
168		Schroef	Screw
169		Onderlegschiif	Plain washer
170		Afstandsbus	Distance tube
171	481834	Smeerviltje	Oil felt
172	481898	Tule	Net
173	481899	Tule v. bougiekabel	Bobbin net



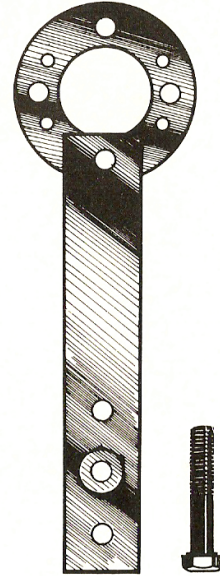
116



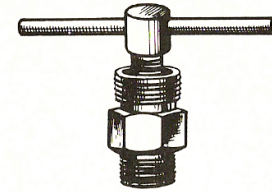
117



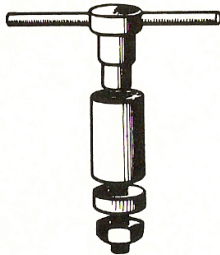
118



119



120



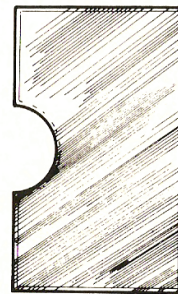
121



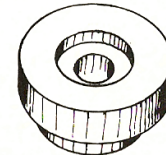
123



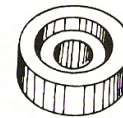
124



125



126



127

Pos. nr.	Nr.	Benaming	Description	Benennung	Designation
116	485009	Kogellagertrekker	Ball race extractor	Kugellagerabzieher	L'arrache des roulements
117	485001	Slagpijp kogellagermontage	Dolly for refitting ball races	Schlagrohr für Kugellagermontage	Tube pour montage roulements
118	485010	Tegenhouder vliegwiél	Flywheel steady	Haltevorrichtung für Schwungrad	Clef de blocage pour volant magnétique
119	485005	Tegenhouder koppelingnaaf	Clutch hub steady	Haltevorrichtung für Kupplung	Clef de blocage pour moyeu d'embrayage
120	485002	Vliegwieltrekker	Flywheel extractor	Schwungradabzieher	L'arrache volant
121	485003	Zuigerpenlager pers	Little end bush press	Vorrichtung für Kolbenbolzenmontage	Presse pour la bague de l'axe de piston
123	485006	Montagehuls simmering v. koppeling	Fitting sleeve for clutch	Montagegehülse für Simmerring Kupplung	Capuchon de racc. de joint d'embr.
124	485007	Hulpstukje M10	Adapter M10	Gewindeschutzkappe für Kurbelwellelegwinde	Raccord intermédiaire
125	485008	Montageplaat krukaslagers	Support plate for crankshaft bearings	Montageplatte Kurbelwellelager	Plaquette de mont. des roulements
126	485011	Montagegereedschap voor simmering	Fitting tool for oil seal	Montagewerkzeug für Simmerring	Outils de mont. du joints d'étanch.
127	485012	Montagegereedschap voor simmering	Fitting tool for oil seal	Montagewerkzeug für Simmerring	Outils de mont. du joints d'étanch.