

**SPARE PARTS LIST  
FOR**

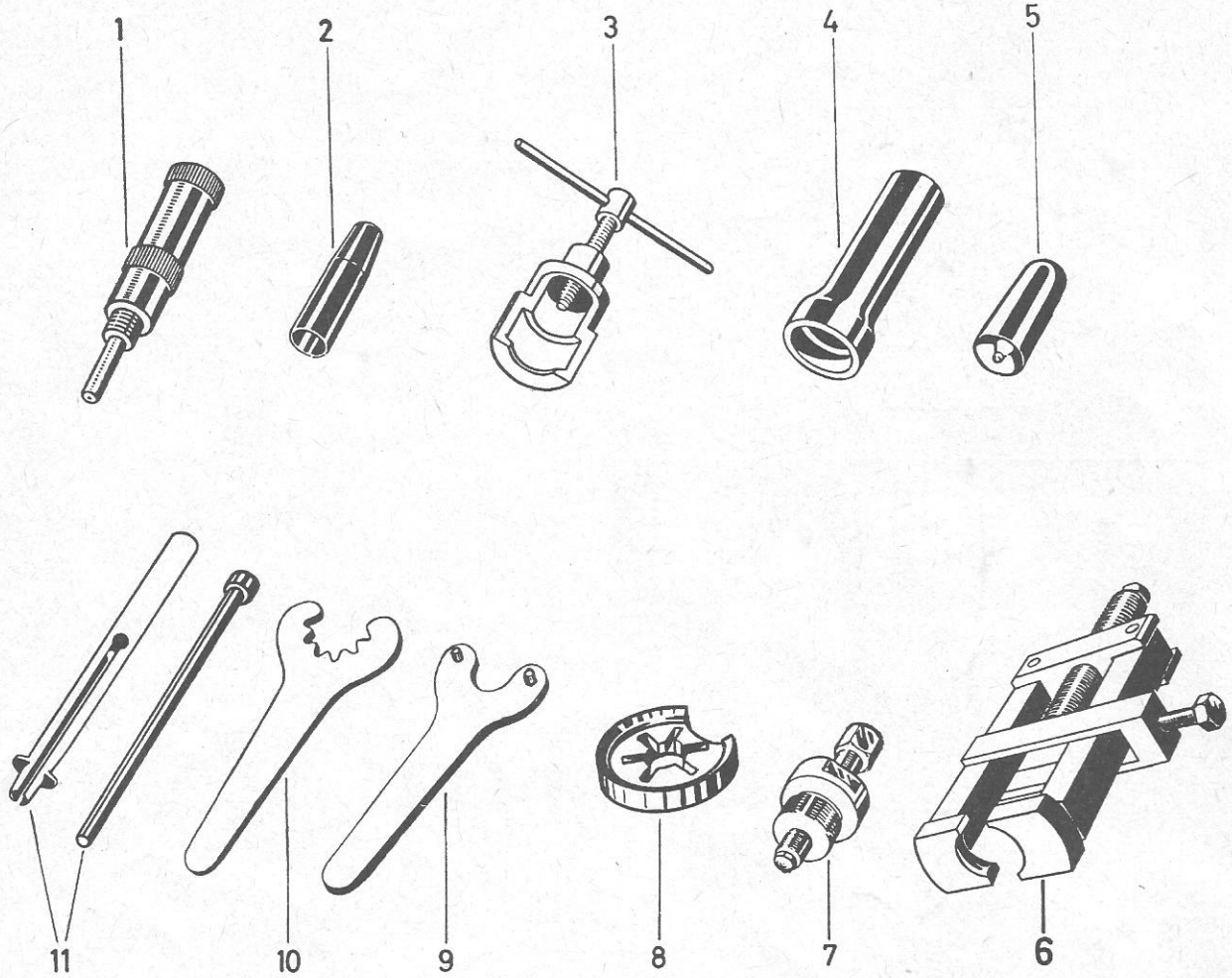


**SPORT MOPED**

**MODEL NUMBER 810.94060 AND 810.94069**

**SEARS, ROEBUCK AND CO. U.S.A.  
SIMPSONS-SEARS, LTD. CANADA**

SPECIAL TOOLS



SM 60/70 S

Ref. No.	Part No.	Description	No. Requd.
1	050.1000.0/11	Ignition point adjusting gauge	1
2	050.1000.0/10	Guide sleeve (for mounting packing ring on crankshaft)	1
3	050.1.1000.0/13	Extractor (for intermediate disc on gear shaft)	1
4	350.1.70.012.0	Mounting sleeve (for fitting inner rings of crankshaft bearing)	1
5	050.4.1332.2/10	Mounting bolt (for fitting circlip on pedal shaft)	1
6	350.1.70.011.0	Extractor (for crankshaft bearing)	1
7	050.7012	Extractor (for flywheel magneto of generator)	1
8	360.1.70.014.1	Holder (for large driving pinion)	1
9	050.7014	Sprocket holder (for engine sprocket)	1
10	050.7015	Sprocket holder (for gear sprocket, 12 teeth)	1
11	121.7029	Pressing-out tool (for wheel hub)	1

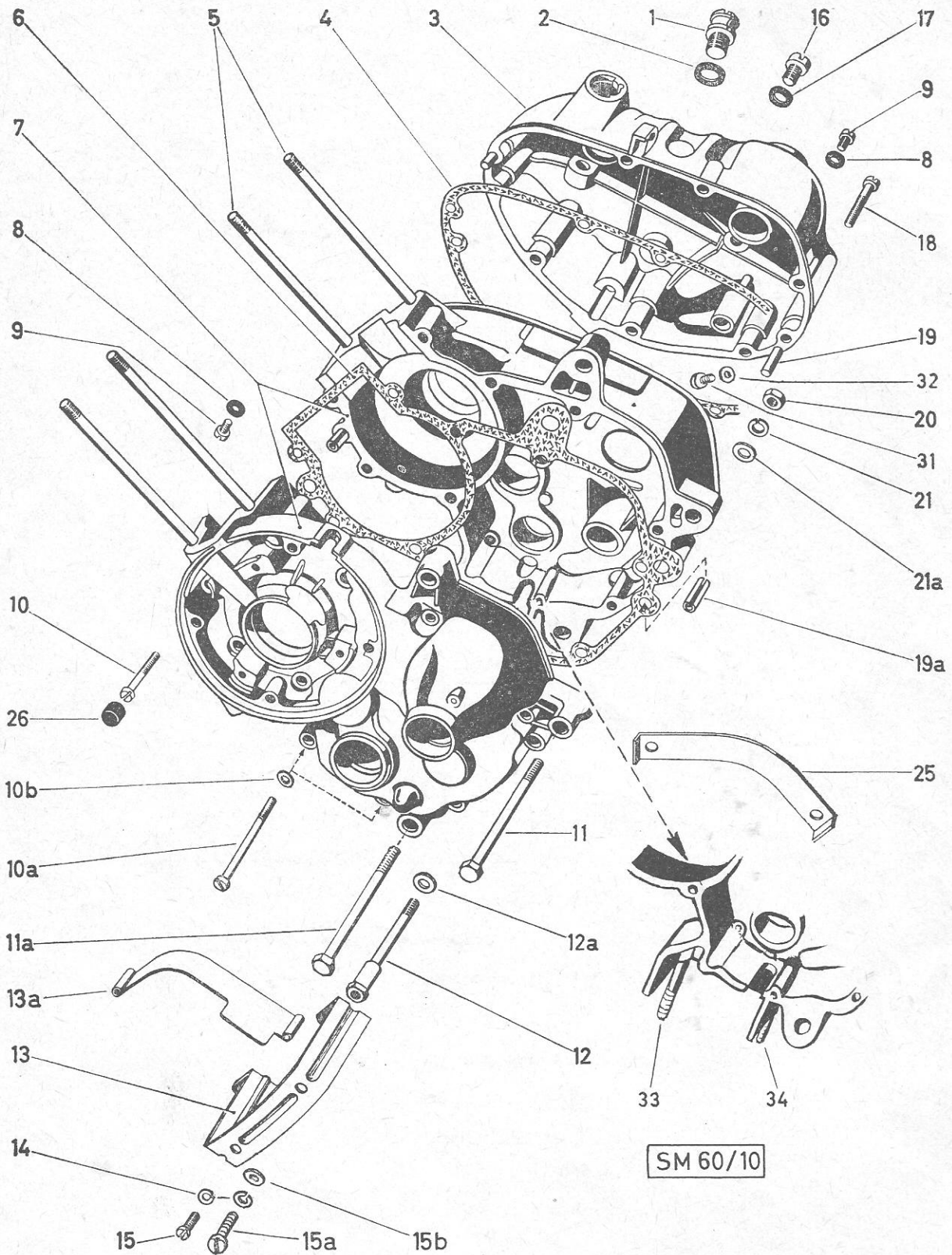
SPARE PARTS CATALOGUE

*Table of Contents*

<b>Engine</b>	<b>1</b>	Crankcase
	<b>2</b>	Blower
	<b>3</b>	Cylinder
	<b>4</b>	Engine Parts
	<b>5</b>	Clutch
	<b>6</b>	Gearbox
	<b>7</b>	Starter Mechanism
	<b>8</b>	Kickstarter
	<b>9</b>	Gearshift
	<b>10</b>	Carburettor
<b>Chassis</b>	<b>11</b>	Fuel Tank, Exhaust
	<b>12</b>	Frame, Twin Seat, Toolbox, Intake Muffler
	<b>13</b>	Mudguards (Fenders)
	<b>14</b>	Foot Rests and Foot Rest Support Gearshift and Brake Lever (foot operated)
	<b>15</b>	Pivoted Fork, Prop Stand
	<b>16</b>	Shock Absorbers for Rear Wheel
<b>Front Fork</b>	<b>17</b>	Front Fork and Steering
	<b>18</b>	Handlebar, Throttle Twist Grip and Control Levers
	<b>19</b>	Bowden Cables
<b>Road Wheels</b>	<b>20</b>	Front Wheel with Speedometer Gearbox
	<b>21</b>	Speedometer with Drive
	<b>22</b>	Rear Wheel, Driving Chain
<b>Electrical Equipment</b>	<b>23</b>	Generator, Ignition Coil
	<b>24</b>	Headlamp, Tail-Stop-Light and Switch
<b>Accessories</b>	<b>25</b>	Tools, Claxon, Tire Pump

To convert millimeters to inches multiply by 0,03937.

# 1 CRANKCASE

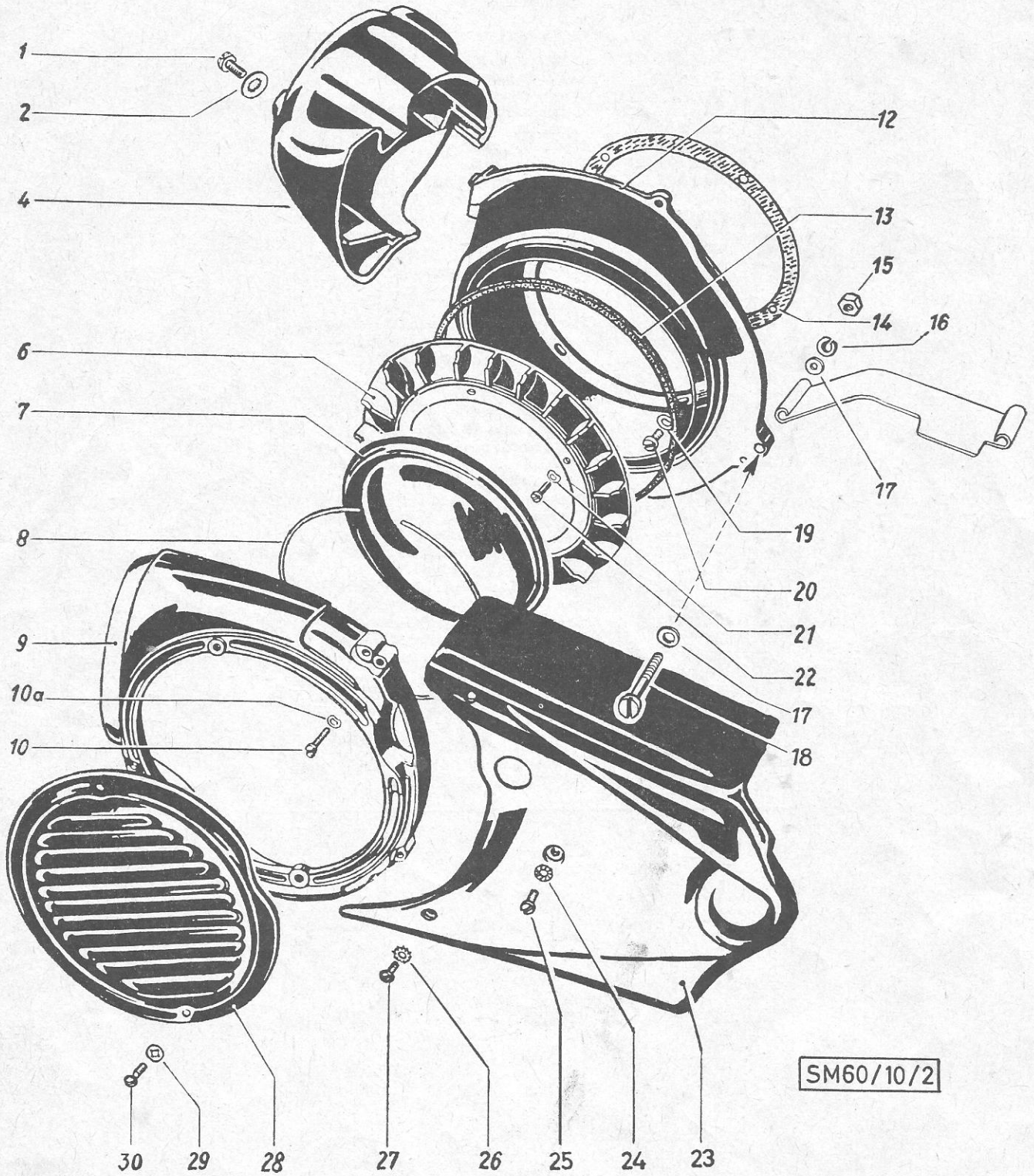


CRANKCASE

1

Ref. No.	Part No.	Description	No. Requd.
—	368.1.10.200.0	Engine complete	1
1	364.1.10.660.1	Oil filler plug	1
2	27071	Joint washer A 10x14 DIN 7603	1
3	364.1.10.635.1	Crankcase cover r. h. s.	1
4	050.1.1049	Crankcase cover gasket	1
5	362.1.10.078.1	Stud M 7, 111 long	4
6	364.2.10.731.1	Crankcase gasket	1
7	364.2.10.732.0	Crankcase complete	1
8	24365	Joint washer A 6x12 DIN 7603	2
9	900.1305	Cheese head screw M 6x8 DIN 84 for oil drain plug and oil control	2
10	900.1319	Cheese head screw M 6x35 DIN 84 for crankcase assembly	6
10a	050.2144	Cheese head screw M 6x75	2
10b	900.3913	Washer AL 11/6/1	2
11	901.1001	Hexagon bolt M 8x1 x 75 DIN 960—8G	2
11a	901.1002	Hexagon bolt M 8x1 x 90 DIN 960—8G	1
12	050.2.1076	Screw (M 6, 50 long)	2
12a	24804	Plain washer 6,4 DIN 433	2
13	050.5.1075.2	Fixing clip	1
13a	365.1.10.092.1	Chain catcher	1
14	29190	Spring washer B 5 DIN 127	as req.
15	900.1312	Cheese head screw AM 5x10 DIN 84	1
16	900.1342	Cheese head screw AM 8x10 DIN 84 for oil drain plug	1
17	26482	Joint washer A 8x14 DIN 7603	1
18	900.1206	Cheese head screw M 6x30 DIN 84 for crankcase cover	6
	900.1319	Cheese head screw M 6x35 DIN 84 for crankcase cover	1
19	900.4810	Locating dowel 6 mm dia.x18 DIN 7	2
19a	050.10.1054	Spacer	2
20	900.2021	Hexagon nut M 8x1 DIN 934—6 S	3
21	26819	Spring washer B 8 DIN 127	1
21a	24806	Plain washer 8,4 DIN 433	1
25	050.1.1096	Nut plate	1
26	050.10.1088	Rubber plug for crankcase 12,5 mm dia., 10,5 long	2
31	050.1.1422	Screw	1
32	900.4212	Joint washer 18/12,3/1	1
33	900.1935	Stud M 6x40 DIN 835	2
34	900.1901	Stud M 6x25 DIN 835	2

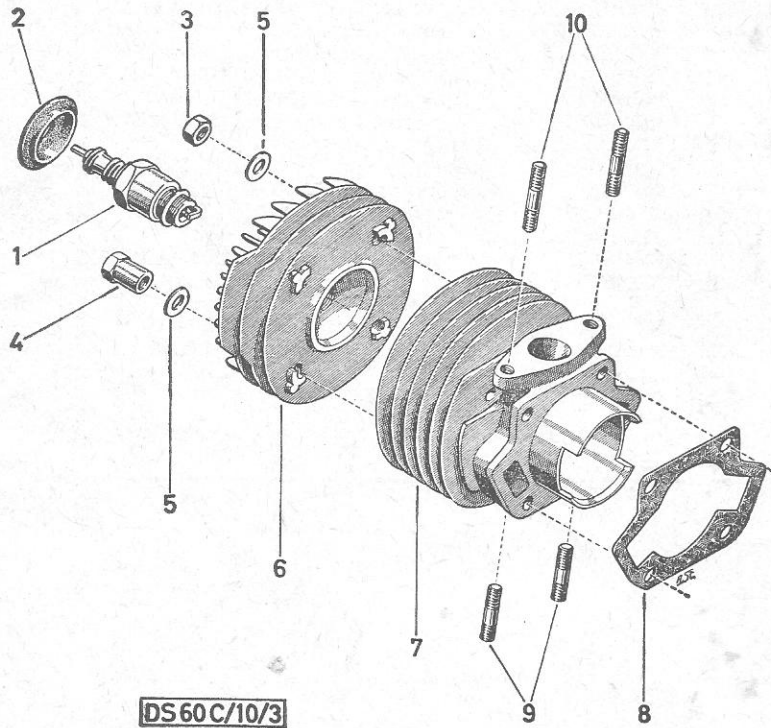
**2** BLOWER



SM60/10/2

Ref. No.	Part No.	Description	No. Requd.
1	900.1130	Hexagon bolt M 7x15 DIN 933	2
2	900.3457	Lock washer JZC 7	2
4	368.1.10.065.1	Blower hood	1
6	350.4.10.072.1	Blower fan wheel	1
7	050.10.1073	Cover plate	1
8	050.10.1074	Wire circlip	1
9	050.10.1062	Blower housing	1
10	900.1520	Raised cheese head screw M 4x20 DIN 85	2
10a	900.3202	Curved washer A 4 DIN 137	2
12	350.4.10.061.2	Blower base plate with felt washer	1
13	050.1.1087	Felt washer for blower base plate	1
14	050.10.1036	Gasket 122,5 mm dia. (paper)	1
15	900.2105	Hexagon nut M 5 DIN 555	1
16	29190	Spring washer B 5 DIN 127	1
17	24803	Plain washer 5,3 DIN 433	2
18	900.1335	Cheese head screw AM 5x50 DIN 84	1
19	900.3218	Spring washer 9/5,2/1	4
20	23099	Cheese head screw AM 5x12 DIN 84	4
21	900.3205	Curved washer A 5 DIN 137	4
22	23099	Cheese head screw AM 5x12 DIN 84	4
23	368.1.10.064.1	Fairing plate	1
24	900.3401	Serrated lock washer JAC 5,3	1
25	900.1513	Raised cheese head screw M 5x10 DIN 85	1
26	900.3464	Toothed lock washer AZ 4,2	2
27	900.1506	Raised cheese head screw M 4x12 DIN 85	2
28	050.10.1068	Blower louver cover	1
29	900.3964	Lock washer 4	2
30	050.1.1084	Raised head screw (M 4x10)	2

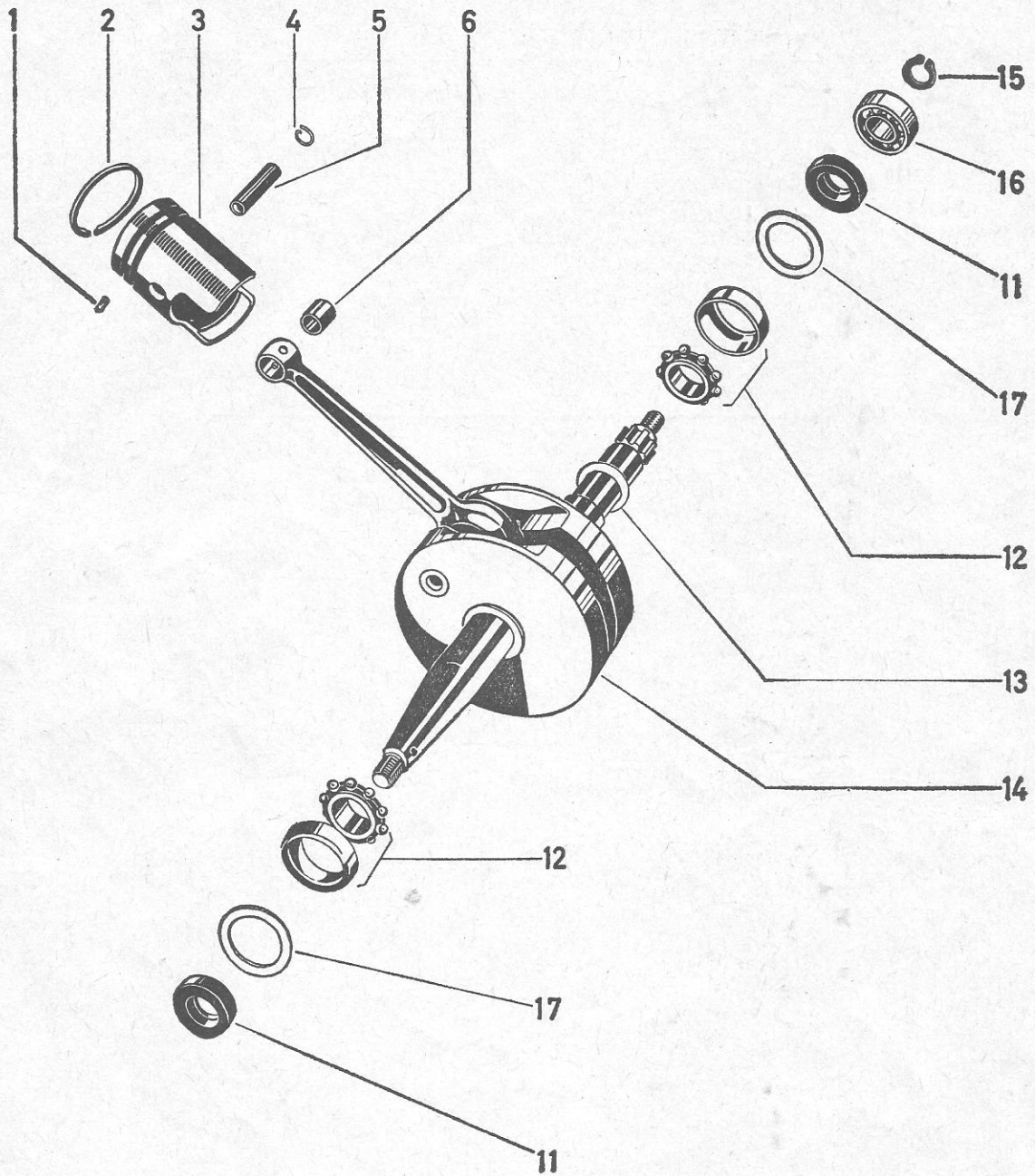
**3** CYLINDER





Ref. No.	Part No.	Description	No. Requd.
1	902.0727	Spark plug, Champion L/5	1
2	100.1009	Packing collar for spark plug	1
3	24774	Hexagon nut M 7 DIN 934	2
4	362.1.10.003.1	Round neck nut (M 7)	2
5	900.3990	Washer 12,5/7,4/1,5	4
6	361.1.10.601.1	Cylinder head	1
7	361.1.10.605.2	Cylinder normal, 42 mm dia.	1
	361.1.10.605.3	Cylinder oversize I, 42,5 mm dia.	1
	364.1.10.605.0	Cylinder with complete piston, 42 mm dia.	1
	364.1.10.605.6	Cylinder with complete piston, oversize I, 42,5 mm dia.	1
8	362.1.10.013.1	Cylinder base flange gasket	1
9	050.1.1014	Stud M 6x16	2
10	901.1969	Stud M 6x20 DIN 939	2

**4** ENGINE PARTS



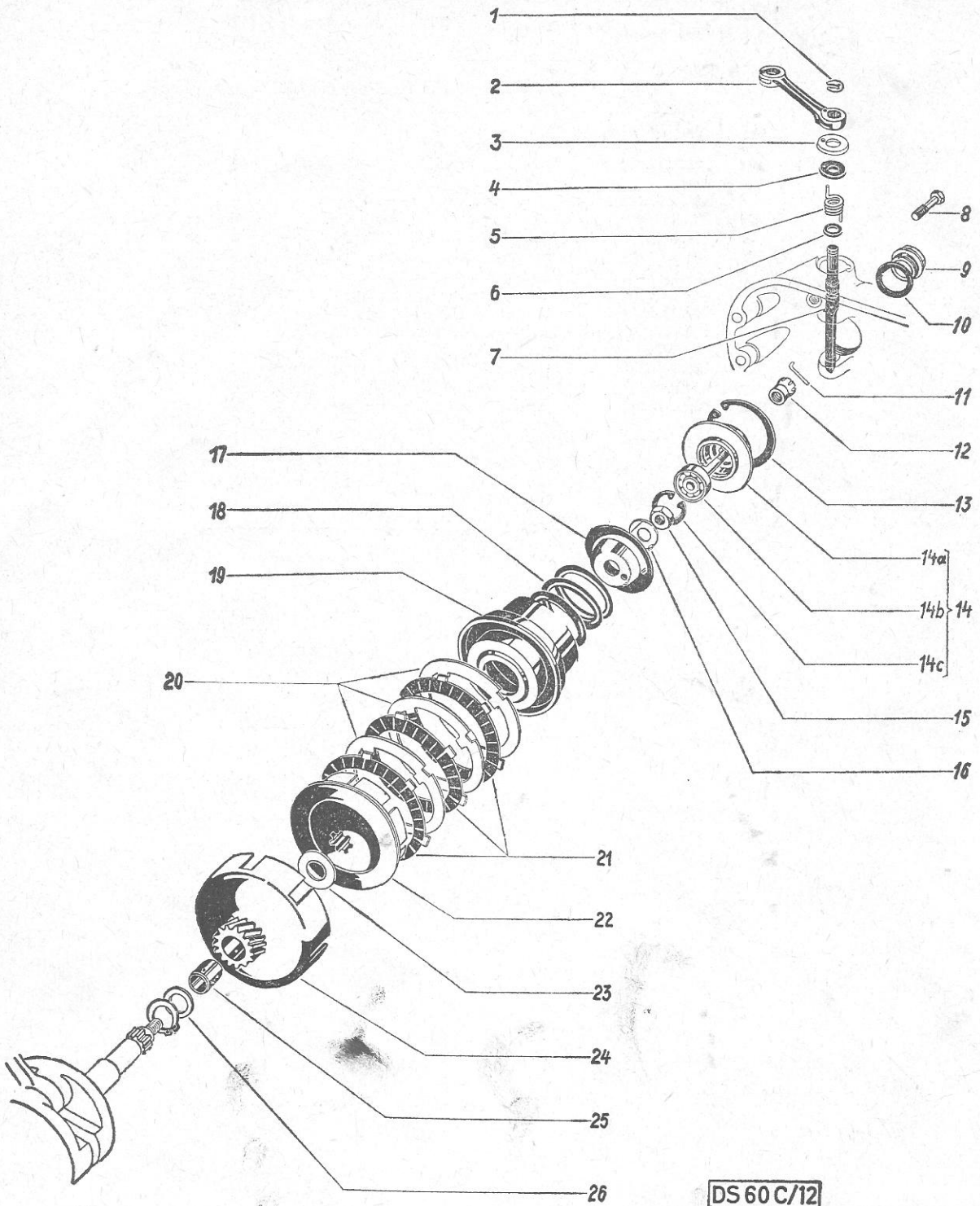
DS 60 C/10/4

ENGINE PARTS

4

Ref. No.	Part. Nr.	Description	No. Requd.
1	900.4853	Grooved locking dowel 2x8 DIN 1473	2
2	364.1.10.460.1	Piston ring, E 42x2 ac DIN 73102	2
	364.1.10.460.3	Piston ring, oversize I, E 42,5x2 ac DIN 73102	2
3	364.1.10.606.0	Piston complete (parts 1—3) normal 42 mm dia.	1
	364.1.10.606.4	Piston complete (parts 1—3) oversize I, 42,5 mm dia.	1
4	900.4719	Wire circlip A 15 DIN 73123	2
5	364.1.10.611.1	Gudgeon pin 15 mm dia., 33 long	1
6	364.2.10.652.1	Bushing for connecting rod	1
	364.2.10.652.3	Bushing for connecting rod, oversize	1
11	900.3807	Oil seal BAX 35/17/7 DIN 6504	2
12	900.6207	Deep-row ball race BO 17, 44/17/11	2
13	900.3922	Spacer shim 24/17,1/0,1	as required
	900.3923	Spacer shim 24/17,1/0,2	
	900.3992	Spacer shim 24/17,1/0,05	
14	364.1.10.615.0	Crankshaft complete with con- necting rod	1
15	900.4619	Circlip Sg 15x1 DIN 471	1
16	900.6202	Deep-row ball race 6202 35/15/11 DIN 625	1
17	362.1.10.019.1	Washer 43,5/32/1	2

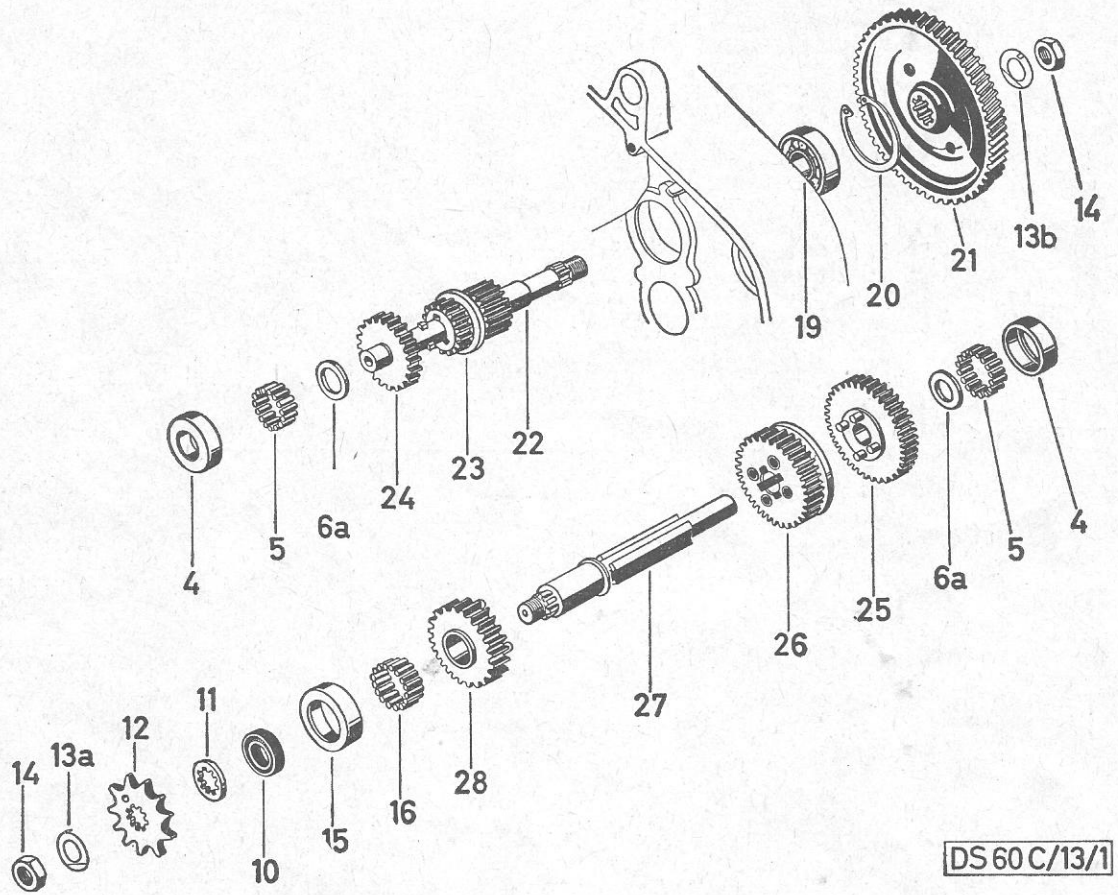
**5** CLUTCH



DS 60 C/12

Ref. No.	Part No.	Description	No. Reqd.
1	900.4606	Bz-Circlip 6 DIN 6799	1
2	050.2.1231	Declutching lever	1
3	050.1219	Cap	1
4	050.1221	Rubber disc 20/7,8/2	1
5	050.1222	Torsion spring	1
6	050.1220	Rubber disc 13/7,5/2	1
7	050.1228	Declutching shaft	1
8	050.1.1229	Screw M 5x20	1
9	050.1.1233	Centering screw	1
10	900.3718	Fibre seal washer 26,5/22/1	1
11	050.1237	Wire pin, 1,4 mm dia.	1
12	050.1234	Ball nut	1
13	900.4745	Circlip Sg 45x1,75 DIN 472	1
14	362.1.12.030.0	Set bolt complete	1
14a	362.1.12.010.1	Bearing shell	1
14b	050.1240.2	Set bolt	1
14c	900.4721	Circlip Sg 21x1 DIN 472	1
15	26820	Hexagon nut M 8x1	1
16	050.1214	Tab washer	1
17	362.1.12.007.1	Spring cup	1
18	050.1206	Clutch spring	1
19	362.1.12.005.1	Spring cage	1
20	050.1212	Interior clutch disc	3
21	050.1224.2	Exterior clutch disc (with friction lining)	3
22	362.1.12.004.1	Clutch hub	1
23	050.1215	Thrust washer	1
24	364.2.12.602.2	Clutch housing (19 teeth)	1
25	050.1211	Bearing bushing	1
26	050.1213	Thrust washer	1

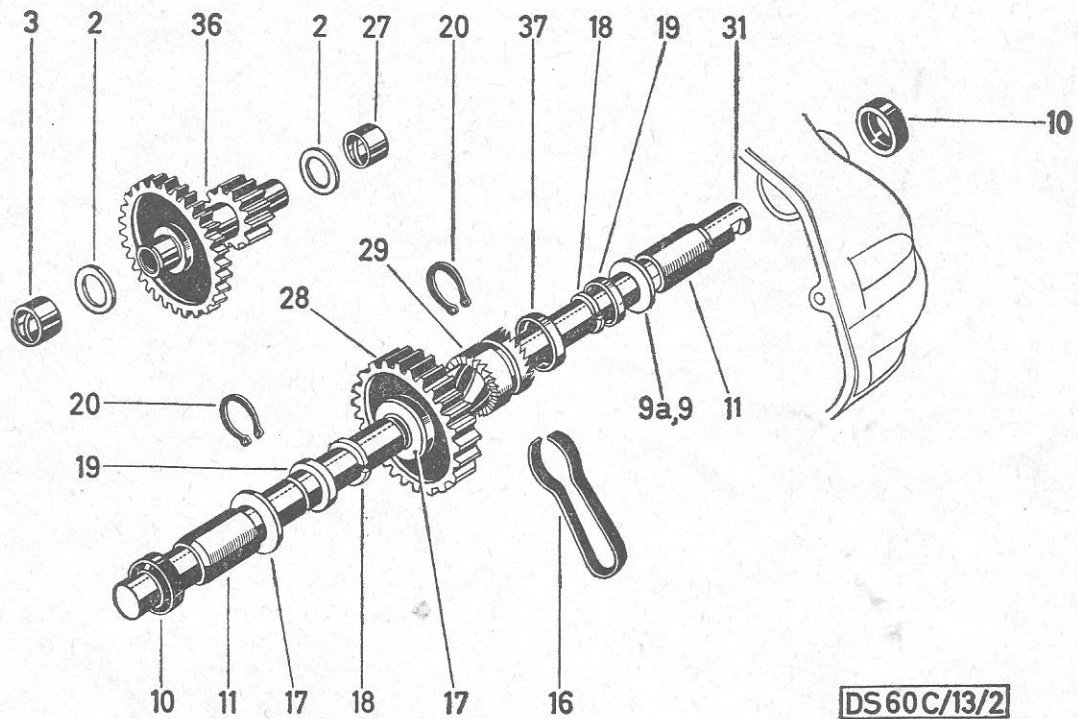
**6** GEARBOX



Ref. No.	Part No.	Description	No. Requd.
4	050.1.1310	Roller race 28 mm dia. (for main and counter shafts)	2
5	900.6104	Roller 3,5x7,5 (14 rollers for each race)	28
6a	350.1.13.075.1	Disc 18/12,5/1,6 Disc 18/12,5/1,8 Disc 18/12,5/2 as required Disc 18/12,5/2,5	—
	350.1.13.078.1		—
	350.1.13.076.1		—
	350.1.13.077.1		—
10	050.1321	Oil seal BA 28/17/7	1
11	050.1.1319	Spacer	1
12	364.1.13.017.1	Gearbox sprocket (12 teeth)	1
13a	050.1318	Tab washer 12/25 mm dia.	1
13b	360.1.13.004.1	Tab washer 12,5/22 mm dia.	1
14	24787	Hexagon nut M 12x1	2
15	050.1.1365	Outer bearing race 32 mm dia.	1
16	900.6104	Roller 3,5 mm dia.x7,5	18
19	900.6202	Deep-row ball race 6202 35/15/11 DIN 625	1
20	900.4735	Circlip Sg 35x1,5 DIN 472	1
21	350.1.13.000.1	Driving pinion (helical gear 69 teeth)	1
22			
23	364.1.13.601.2	Counter shaft (11/17/20 teeth)	1
24			
25	360.2.13.011.1	First-speed gear (40 teeth)	1
26	360.1.13.012.1	Second-speed gear (34 teeth)	1
27	365.1.13.020.1	Main shaft, 114 long	1
28	360.1.13.013.1	Third-speed gear (24 teeth)	1

7

STARTER MECHANISM



DS60C/13/2



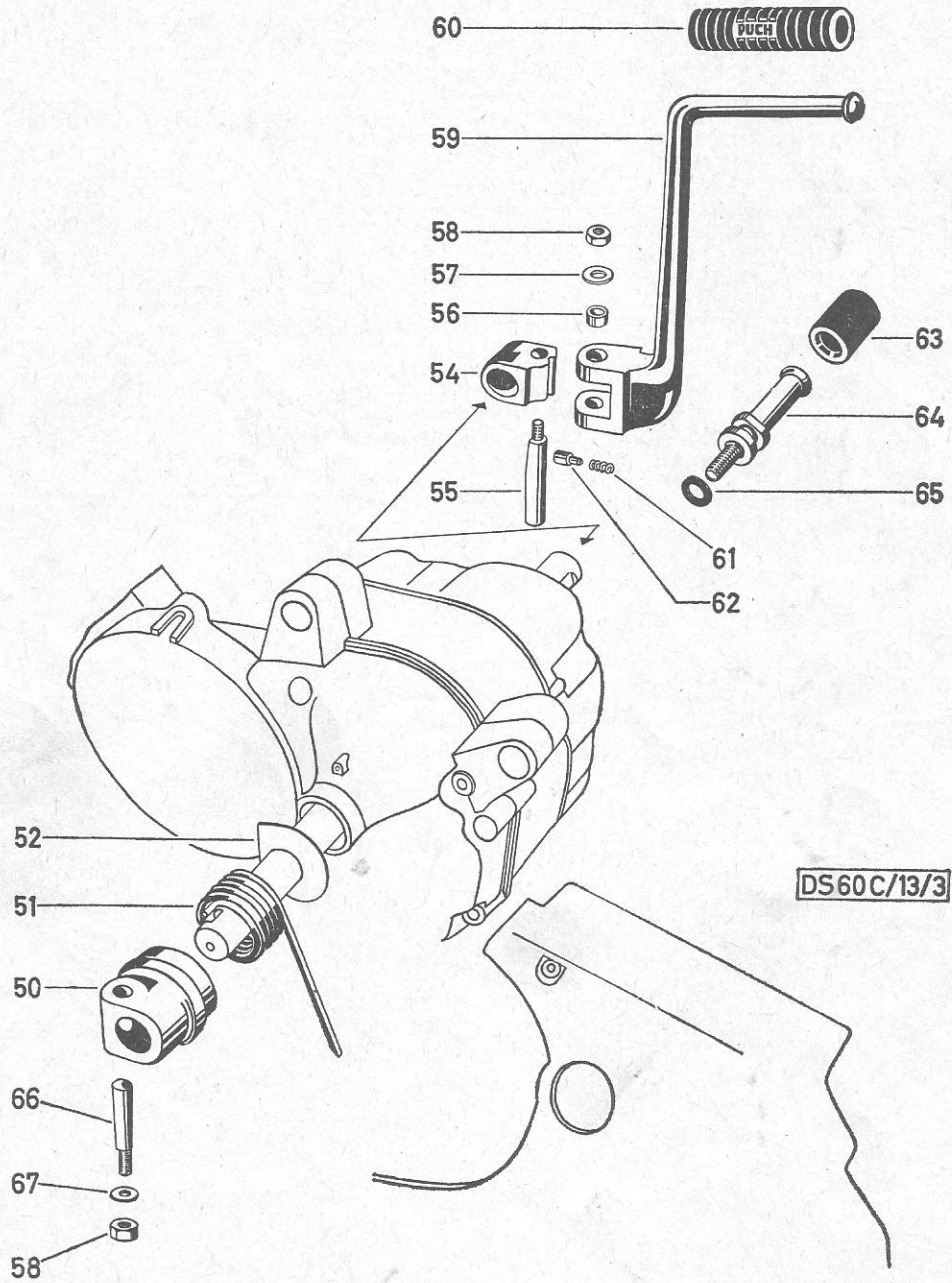
STARTER MECHANISM



Ref. No.	Part No.	Description	No. Requd.
2	050.1329	Thrust washer 20,5/14/1,9	—
	050.1329.2	Thrust washer 20,5/14/2	—
	050.1329.3	Thrust washer 20,5/14/2,1	—
	050.1329.4	Thrust washer 20,5/14/2,4	—
3	050.1333	Bearing bushing 19/14/9,5	1
9	050.4.1353	Thrust washer 26/16,2/1	1
9a	900.3922	Spacer shim 24/17,1/0,1	—
	900.3923	Spacer shim 24/17,1/0,2	—
	900.3924	Spacer shim 24/17,1/0,5	—
10	050.1335	Oil seal BAOF 24/16/7	2
11	050.1342	Bearing bushing 20/16/20	2
16	050.1.1334	Brake spring for driver	1
17	050.1343	Thrust washer 26/16/2	2
18	050.4.1351	Circlip	2
19	050.4.1352	Catching ring	2
20	900.4616	Circlip Sg 16x1 DIN 471	2
27	360.1.13.033.1	Bushing 17/14/10 for counter shaft, r. h. s.	1
28	368.1.13.031.1	Starter gear (29/20 teeth)	1
29	360.1.13.027.1	Driver (20 teeth), 24 long	1
31	360.1.13.032.1	Pedal shaft (starter shaft), 276 long	1
36	368.1.13.030.2	Counter shaft (32 and 17 teeth)	1
37	364.1.13.023.1	Cap 26 mm dia. for driver	1

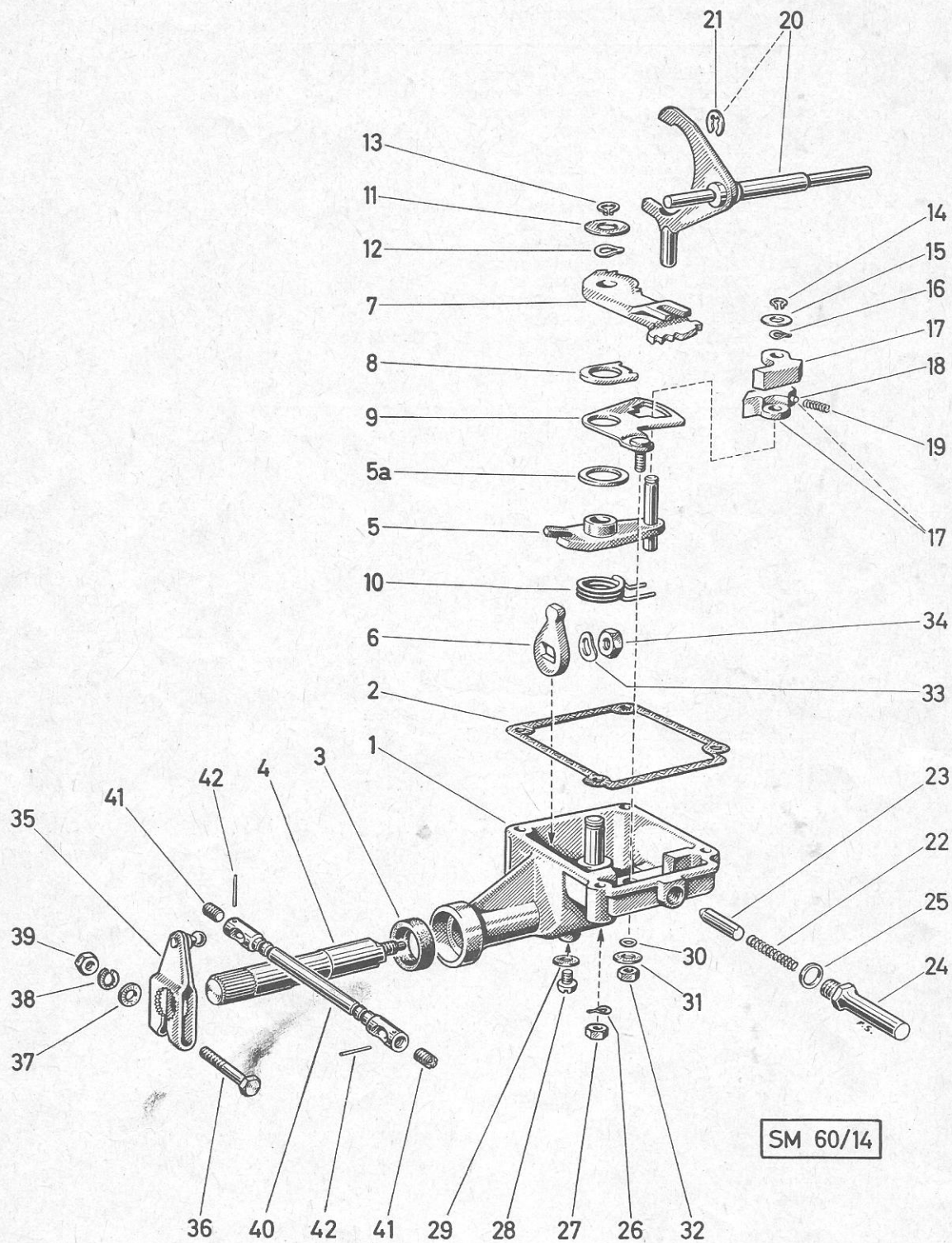
8

KICKSTARTER



Ref. No.	Part No.	Description	No. Requd.
50	364.1.13.344.1	Hub for spring	1
51	364.1.13.334.1	Restoring spring	1
52	364.1.13.336.1	Washer 46 mm dia.	1
54	364.1.13.341.1	Hub	1
55	364.1.13.342.1	Cotter, 63 long	1
56	364.1.13.337.1	Tube 12,5/9,4/7	1
57	900.3966	Washer 18/6,6/2	1
58	900.2909	Hexagon nut, one quarter — 26	2
59	364.1.13.340.1	Kickstarter crank	1
60	51.1.1337	Pedal rubber	1
61	250.1344	Pressure spring	1
62	250.1343	Set bolt	1
63	51.1.1338	Rubber stop 22/9/25	1
64	364.1.13.343.1	Stop bolt	1
65	26482	Packing ring A 8x14 DIN 7603	1
66	605.1313	Cotter	1
67	900.3926	Washer 14/6,5/2	1

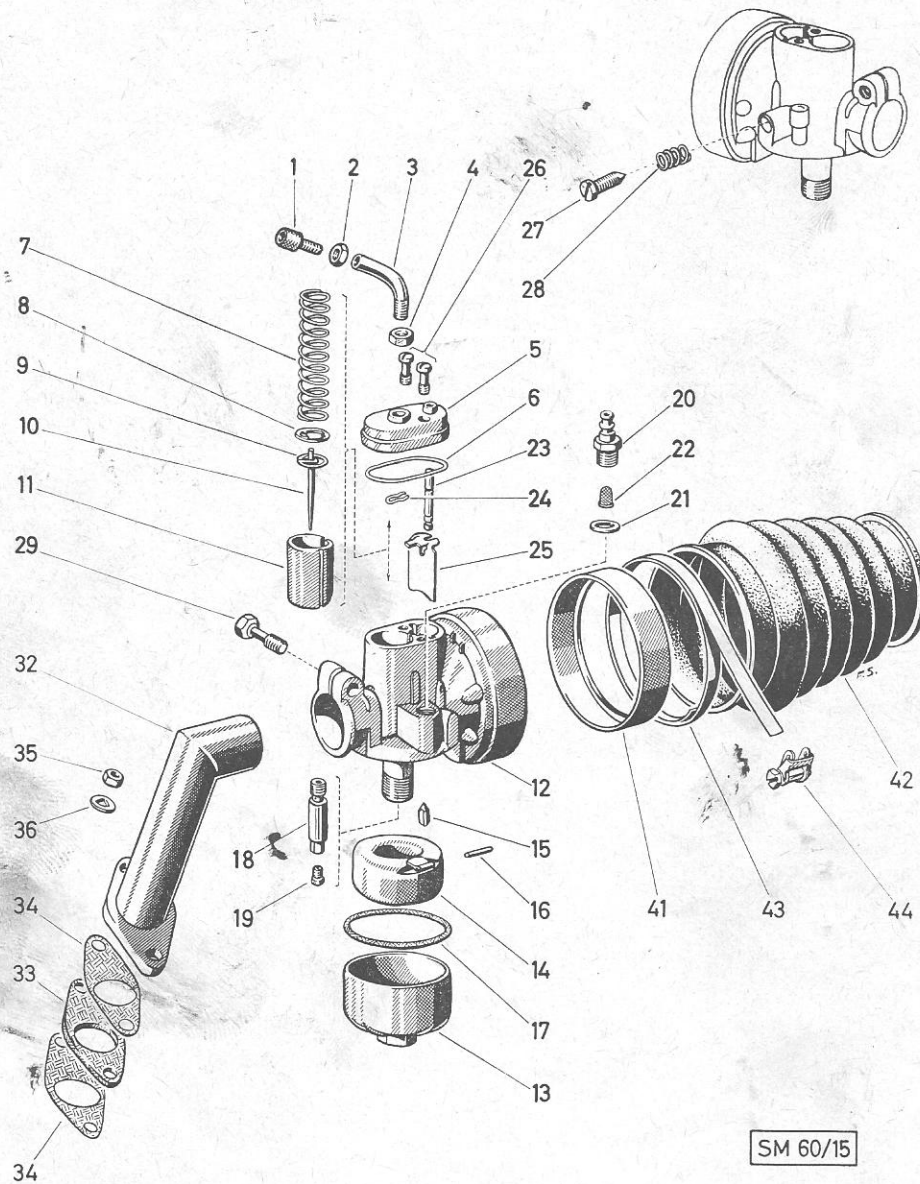
**9** GEARSHIFT



Ref. No.	Part. No.	Description	No. Requd.
1	357.1.14.102.2	Selector casing (with bearing pin)	1
2	357.1.14.101.1	Gasket for selector casing	1
3	51.1.1345	Oil seal for selector shaft	1
4	357.1.14.106.1	Selector shaft	1
5	357.1.14.105.2	Interior gearshift lever	1
5a	050.4.1353	Thrust washer 26/16/1	1
6	357.2.14.107.1	Lever	1
7	357.1.14.110.2	Ratchet wheel	1
8	360.1.14.311.1	Lifting plate	1
9	357.1.14.103.2	Supporting plate	1
10	360.1.14.316.1	Selector spring	1
11	14778	Washer 10,5/21/1	1
12	100.1.1235	Crinkle washer	1
13	900.4610	Circlip Sg 10x1 DIN 471	1
14	900.4608	Circlip Sg 8x0,8 DIN 471	1
15	900.3949	Washer 8,5/15/0,75	1
16	050.1.1426	Crinkle washer	1
17	357.1.14.117.2	Gearshift dog (with part ref. no. 18)	2
18	900.4847	Slotted hollow pin 2,5x8 DIN 1481	2
19	128.1427	Pression spring	1
20	357.1.14.125.0	Selector fork compl. (with part ref. no. 21)	1
21	900.4606	Circlip Bz DIN 6799	1
22	100.1423	Catch spring	1
23	500.1.14.021.1	Catch	1
24	357.1.14.122.1	Guide for catch	1
25	27633	Fibre washer 14,5/11,2 for guide	1
26	900.3213	Crinkle washer B 6 DIN 137	4
27	900.2106	Hexagon nut M 6 DIN 555	4
28	900.1208	Cheese head screw AM 6x6 DIN 84	1
29	24365	Joint washer A 6x12 DIN 7603	1
30	900.3883	Rubber seal RS 6—9—1,5	1
31	24804	Plain washer 6,4 DIN 433	1
32	900.2106	Hexagon nut M 6 DIN 555	1
33	900.3211	Crinkle washer B 8 DIN 137	1
34	900.2307	Hexagon lock nut M 8x1 DIN 936	1
35	368.1.14.005.2	Exterior gearshift lever	1
36	26427	Hexagon bolt M 6x35 DIN 931	1
37	24795	Washer 6,4 DIN 125	2
38	26834	Spring washer B 6 DIN 127	1
39	900.2106	Hexagon nut M 6 DIN 555	1
40	368.1.14.004.2	Selector rod	1
41	100.1409	Adjusting screw M 8x1	2
42	100.1430	Locking pin 1 mm dia.	2

10

CARBURETTOR



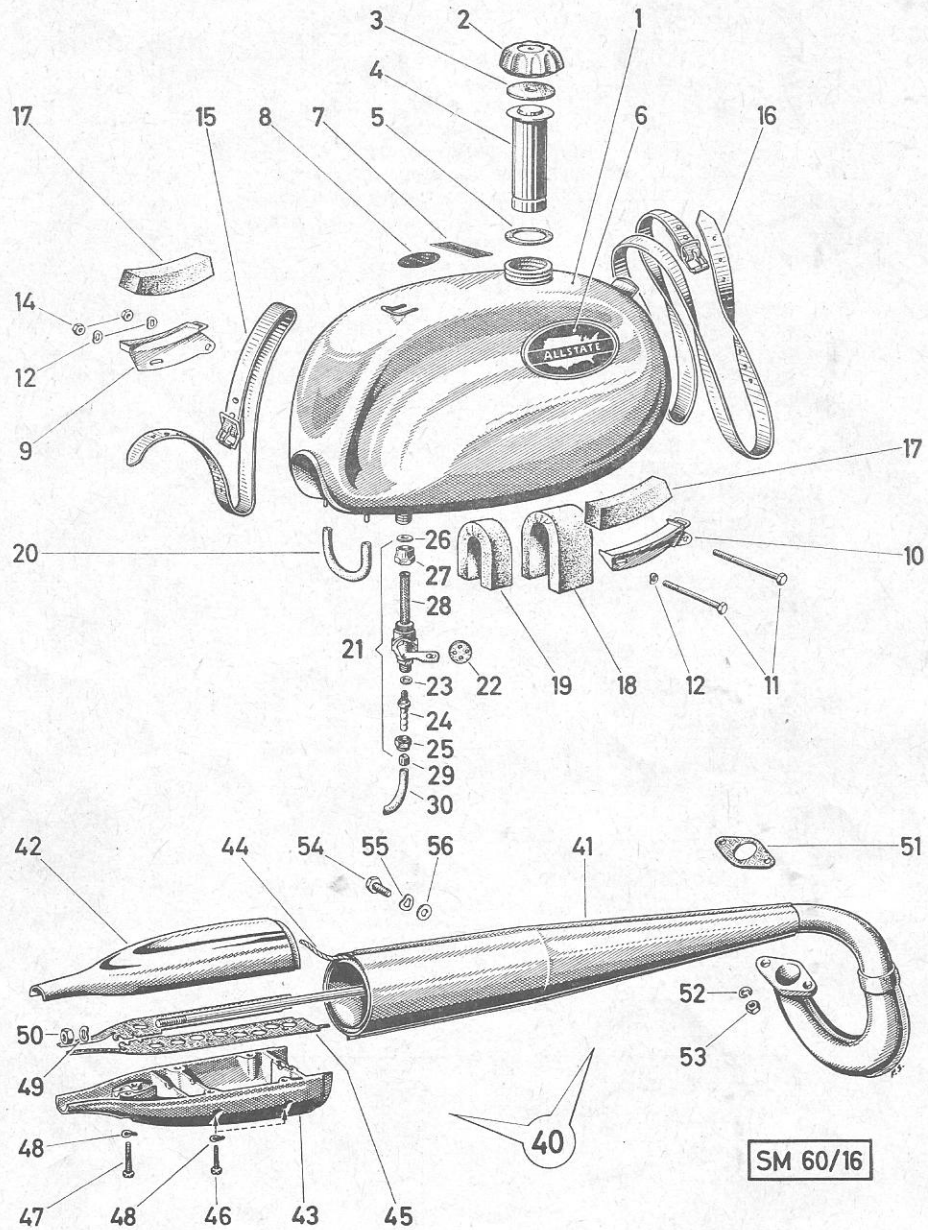
Ref. No.	Part No.	Description	No. Requd.
—	361.1.15.000.0/90	Carburettor complete (without air filter) (Bing)	1
1	050.1520	Bowden cable adjusting screw (M 5)	1
2	900.2115	Nut BM 5 DIN 439 for Bowden cable adjusting screw	1
3	350.1.15.018.1	Pipe elbow	1
4	26779	Nut BM 6x0,75 similar to DIN 934 for pipe elbow	1
5	362.1.15.019.2	Carburettor cover	1
6	362.1.15.029.1	Gasket for carburettor cover	1
7	362.1.15.031.1	Thrust spring for throttle piston	1
8	362.1.15.014.1	Washer (13 mm dia., 0,5 strong)	1
9	362.1.15.013.1	Clamp spring	1
10	362.1.15.016.1	Jet needle (40 long)	1
11	362.1.15.015.1**	Throttle piston	1
12	362.1.15.001.2	Carburettor housing	1
13	362.1.15.024.1	Float cap	1
14	362.1.15.025.2	Ring float	1
15	362.1.15.026.1	Float needle	1
16	362.1.15.027.1	Pin for ring float (1,5 mm dia., 17 long)	1
17	362.1.15.028.1	Gasket 45/41/1,5 for float cap	1
18	362.1.15.008.1**	Needle jet	1
19	361.1.15.009.1/90	Main jet no. 90* (possibly 86 and 88)	1
20	362.1.15.038.1	Nipple	1
21	900.3702	Seal washer A 8x12 DIN 7603 for nipple	1
22	362.1.15.037.2	Fuel strainer	1
23	362.1.15.063.1	Thrust pin (29 long) (for choke slide valve)	1
24	362.1.15.064.1	Clamp spring for thrust pin	1
25	362.1.15.065.1	Choke slide valve	1
26	050.1535	Head screw for carburettor cover	2
27	362.1.15.011.1	Adjusting screw for throttle piston	1
28	362.1.15.012.1	Thrust spring for adjusting screw	1
29	126.1513	Clamping screw (M 6)	1
32	368.1.15.033.1	Carburettor connecting sleeve	1
33	368.1.15.021.1	Gasket (3 mm strong)	1
34	368.1.15.022.1	Gasket (paper)	2
35	24773	Hexagon nut M 6 DIN 934	2
36	900.3456	Eventail washer JZC 6 mm dia.	2
41	368.1.15.076.1	Intermediate piece	1
42	504.1.08.010.1	Rubber boot	1
43	700.1.08.096.8	Hose clip (425 mm long) per meter as required	1
44	700.1.08.095.1	Turnbuckle	2

\* Please state jet no.

\*\* Please quote stamped-on number

11

FUEL TANK, EXHAUST





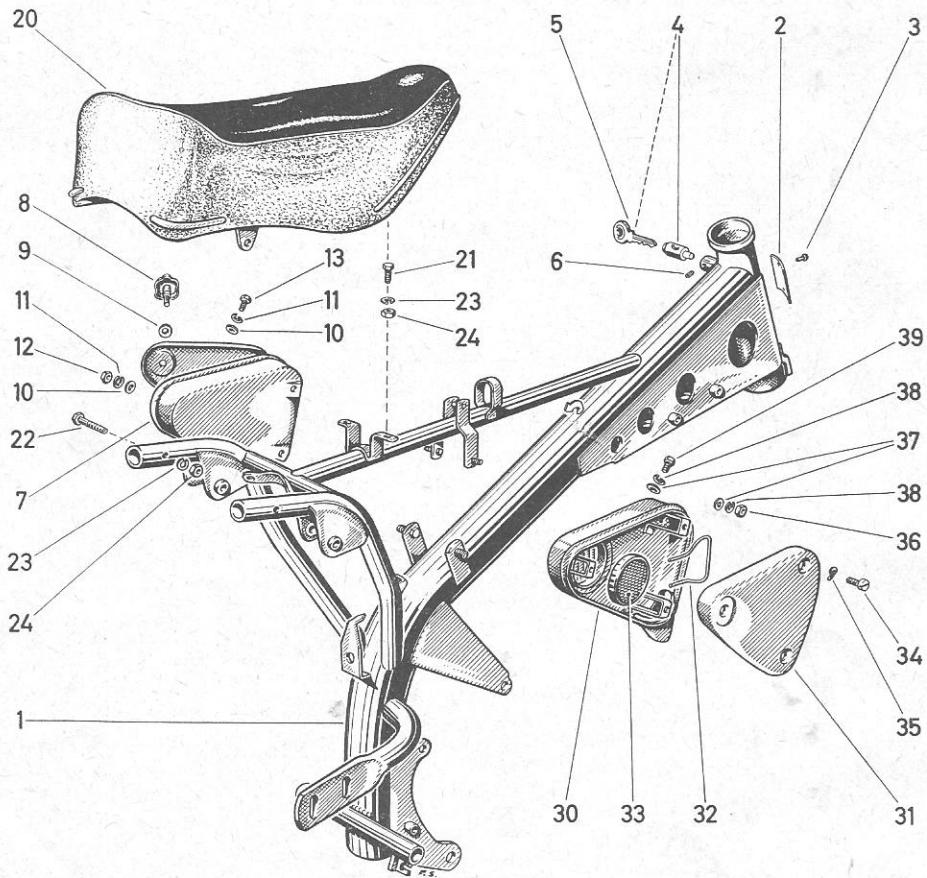
FUEL TANK, EXHAUST

11

Ref. No.	Part No.	Description	No. Requd.
1	368.1.22.000.2/66	Fuel tank	1
2	302.1.22.020.1/83	Filler cap	1
3	050.1.2248	Packing ring 42,5/18/1	1
4	050.6.2245.0	Oil filler	1
5	350.2.22.023.1	Gasket	1
6	368.1.22.226.1	Transfer picture (Allstate)	2
7	170.2210	Transfer picture (Ratio of Mixture)	1
8	050.1.2250	Transfer picture	1
9	368.1.22.014.2/66	Tank suspension l. h. s.	1
10	368.1.22.015.2/66	Tank suspension r. h. s.	1
11	900.1040	Hexagon bolt M 6x80 DIN 931	2
12	900.3212	Spring washer A 6 DIN 137	3
14	900.2106	Hexagon nut M 6 DIN 555	2
15	368.1.22.051.2	Fixing belt (short)	1
16	368.1.22.052.2	Fixing belt (long)	1
17	403.1.22.052.1	Tank base (felt)	2
18	101.1.5616	Rubber base 130x30x10	1
19	368.1.20.017.1	Tank support (rubber 20x12x90)	1
20	501.1.0816.1/07	Hose (plastic, transparent, 4 mm dia.) per meter	—
21	050.4.2230.0	Fuel cock compl.	1
22	101.2.2235	Cork gasket 17 mm dia., 1,5	1
23	101.2.2234	Packing ring 10,7/8/1	1
24	050.4.2228.2	Lower fuel filter	1
25	101.2.2210	Union nut	1
26	050.2.2237	Packing ring 14/7/1	1
27	27634	Union nut (M 16x1)	1
28	050.2.2238.2	Fuel filter	1
29	24456	Sleeve for fuel hose	2
30	25597.1/07	Fuel hose 9/5 mm dia. per meter	—
40	368.1.16.000.0	Silencer compl.	1
41	368.1.16.000.2	Silencer with tube	1
42	368.1.16.009.1	End pipe, upper	1
43	368.1.16.010.1	End pipe, lower	1
44	253.1635/07	Gasket (asbestos, 3 mm dia.) per meter	—
45	362.1.16.019.1	Gasket	2
46	900.1368	Self tapping cheese head screw BM 6x22 DIN 7513	4
47	900.1369	Self tapping cheese head screw BM 6x30 DIN 7513	2
48	900.3213	Crinkle washer B 6 DIN 137	6
49	900.3207	Curved washer A 7 DIN 137	2
50	24774	Hexagon nut M 7 DIN 934	1
51	362.1.16.015.1	Gasket, exhaust	1
52	26834	Spring washer B 6 DIN 127	2
53	24773	Hexagon nut M 6 DIN 934	2
54	900.1144	Hexagon bolt M 8x15 DIN 933—8 G	2
55	900.3211	Crinkle washer B 8 DIN 137	} fixing silencer
56	24797	Washer 8,4 DIN 125	

12

FRAME, TWIN SEAT, TOOLBOX, INTAKE MUFFLER



SM 60/20

FRAME, TWIN SEAT, TOOLBOX, INTAKE MUFFLER

12

Ref. No.	Part No.	Description	No. Requd.
1	368.1.20.000.0/66	Frame complete (with bearing shells)	1
2	368.1.20.233.1	Nomenclature plate (Model Number 810.94060)	1
	368.1.20.333.1	Nomenclature plate (Model Number 810.94069)	1
3	365	Tee-head bolt	2
4	050.2.3023	Lock (with 2 keys)	1
5	050.2.3028	Spare key	1
6	050.2.3052	Locking screw	1
7	368.1.26.000.0/66	Toolbox complete	1
8	100.2670.2	Screw for toolbox cover	1
9	128.2045	Threaded washer	1
10	24794	Washer 5,3 DIN 125	3
11	29190	Spring washer B 5 DIN 127	3
12	900.2105	Hexagon nut M 5 DIN 555	2
13	23319	Hexagon bolt M 5x12 DIN 933	1
20	368.1.33.000.2	Twin seat	1
21	24928	Hexagon bolt M 6x15 DIN 933	2
22	26427	Hexagon bolt M 6x35 DIN 931	2
23	26834	Spring washer B 6 DIN 127	4
24	900.2106	Hexagon nut M 6 DIN 555	4
30	368.1.15.070.2/66	Intake muffler	1
31	368.1.15.070.1/66	Cover	1
32	368.1.15.075.1	Clamping spring	1
33	362.1.15.040.2	Air filter	1
34	900.1517	Cheese head screw M 7x10 DIN 85	3
35	900.3266	Crinkle washer B 7 DIN 137	3
36	900.2105	Hexagon nut M 5 DIN 555	2
37	24794	Washer 5,3 DIN 125	3
38	29190	Spring washer B 5 DIN 127	3
39	23319	Hexagon bolt M 5x12 DIN 933	1

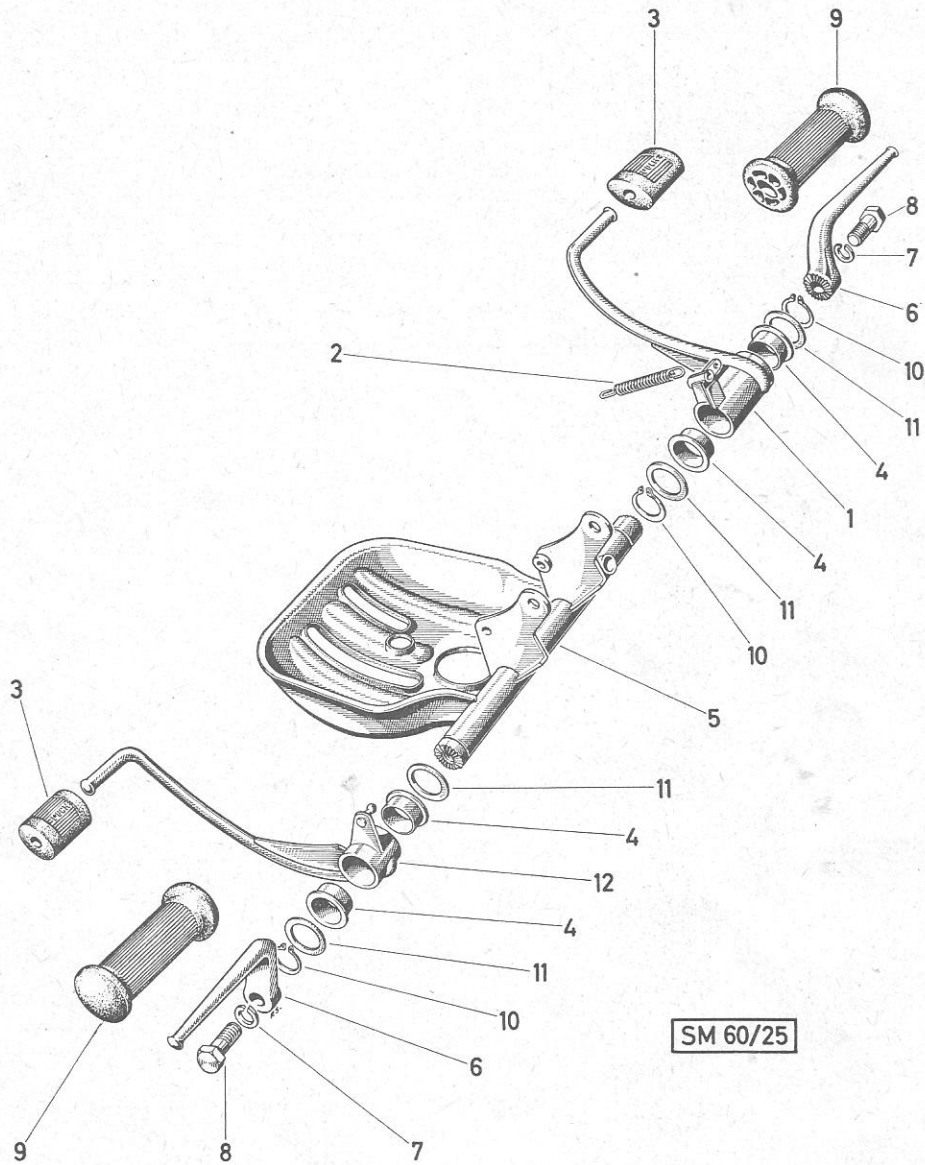
## MUDGUARDS (FENDERS)

13

Ref. No.	Part No.	Description.	No. Reqd.
1	368.1.27.000.1/83	Front fender	1
2	368.1.27.002.2/66	Fender support, front	1
3	368.1.27.003.2/66	Fender support, below	1
4	24928	Hexagon bolt M 6x15 DIN 933	6
5	24927	Hexagon bolt M 6x12 DIN 933	4
6	24795	Plain washer 6,4 DIN 125	4
7	26834	Spring washer B 6 DIN 127	10
8	900.2106	Hexagon nut M 6 DIN 555	10
10	368.1.27.010.2/83	Rear fender	1
11	24927	Hexagon bolt M 6x12 DIN 933	4
12	24795	Plain washer 6,4 DIN 125	4
13	26834	Spring washer B 6 DIN 127	10
14	900.2106	Hexagon nut M 6 DIN 555	10
15	368.1.27.033.1	Bracket, support for license plate	1
16	25399	Hexagon bolt M 6x10 DIN 933	4
17	28909	Washer 14/6,4/1	2
18	26834	Spring washer B 6 DIN 127	4
19	900.2106	Hexagon nut M 6 DIN 555	4
20	368.1.20.031.2/66	Frame end piece	1

14

FOOT RESTS AND FOOT REST SUPPORT, GEARSHIFT AND BRAKE LEVER (FOOT OPERATED)



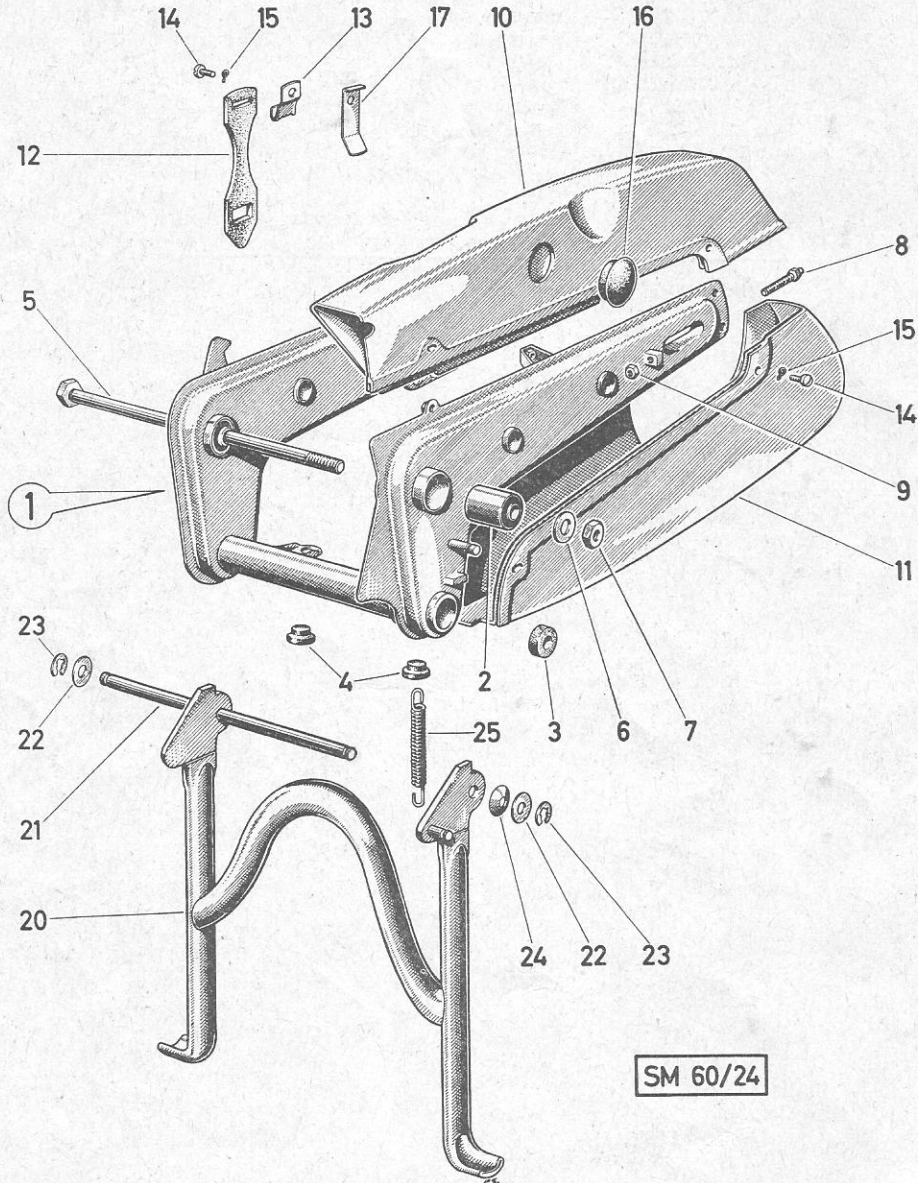
SM 60/25

# FOOT RESTS AND FOOT REST SUPPORT, GEARSHIFT AND BRAKE LEVER (FOOT OPERATED)

14

Ref. No.	Part No.	Description	No. Requd.
1	357.1.25.001.2	Brake lever (foot operated)	1
2	357.1.25.009.1	Brake lever spring	1
3	253.1436	Pedal rubber	2
4	368.1.14.009.1	Bearing bushing	4
5	368.1.26.029.2	Foot rest carrier	1
6	357.1.25.015.1	Foot rest	2
7	900.3214	Spring washer B 14 DIN 127	2
8	128.2505	Screw (M 14x1)	2
9	357.1.25.016.1	Rubber for foot rest	2
10	900.4625	Circlip Sg 25x1,2 DIN 471	3
11	368.1.14.008.1	Shim	4
12	368.1.14.001.2	Gearshift lever (foot operated)	1

**15** PIVOTED FORK, PROP STAND



PIVOTED FORK, PROP STAND

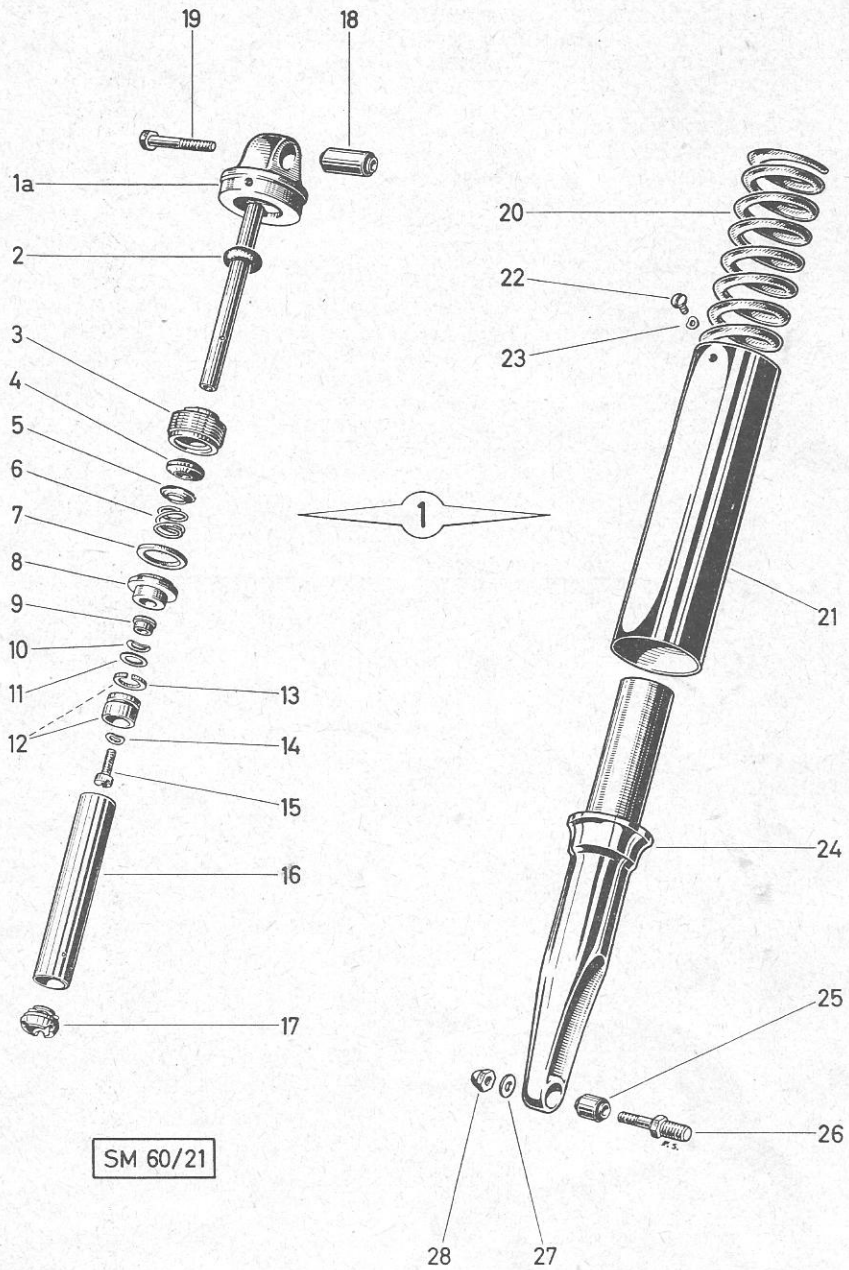
15

Ref. No.	Part No.	Description	No. Requd.
1	367.1.21.001.0/83	Pivoted fork compl. (with pressed-in silent blocs)	1
2	367.1.21.011.2	Silent bloc	2
3	367.1.21.021.1	Bearing bushing, prop stand	2
4	050.1.2123	Rubber buffer, prop stand stop	2
5	367.1.21.010.2	Bearing bolt	1
6	900.3013	Washer	1
7	900.2316	Hexagon lock nut M 12x1 DIN 936	1
8	367.1.21.025.1	Straining screw for chain (M 7)	2
9	24774	Hexagon nut M 7 DIN 934	2
10	367.1.21.018.1	Chain guard, upper part	1
11	367.1.21.019.1	Chain guard, lower part	1
12	367.1.21.020.1	Strap	1
13	367.1.21.022.1	Holder for strap	1
14	900.1513	Raised cheese head screw } fixing M 5x10 DIN 85 } chain	5
15	900.3217	Crinkle washer B 5 DIN 137 } guard	5
16	128.2116	Rubber cover	1
17	367.1.21.023.1	Guiding bracket	1
20	367.1.24.000.2	Central prop stand	1
21	367.1.24.013.1	Bearing axle	1
22	14778	Plain washer 21/10,5/1	2
23	900.4609	Bz-Circlip 9 DIN 6799	2
24	100.1.1235	Curved washer	1
25	050.1.2410	Spring for prop stand	1



16

SHOCK ABSORBERS FOR REAR WHEEL



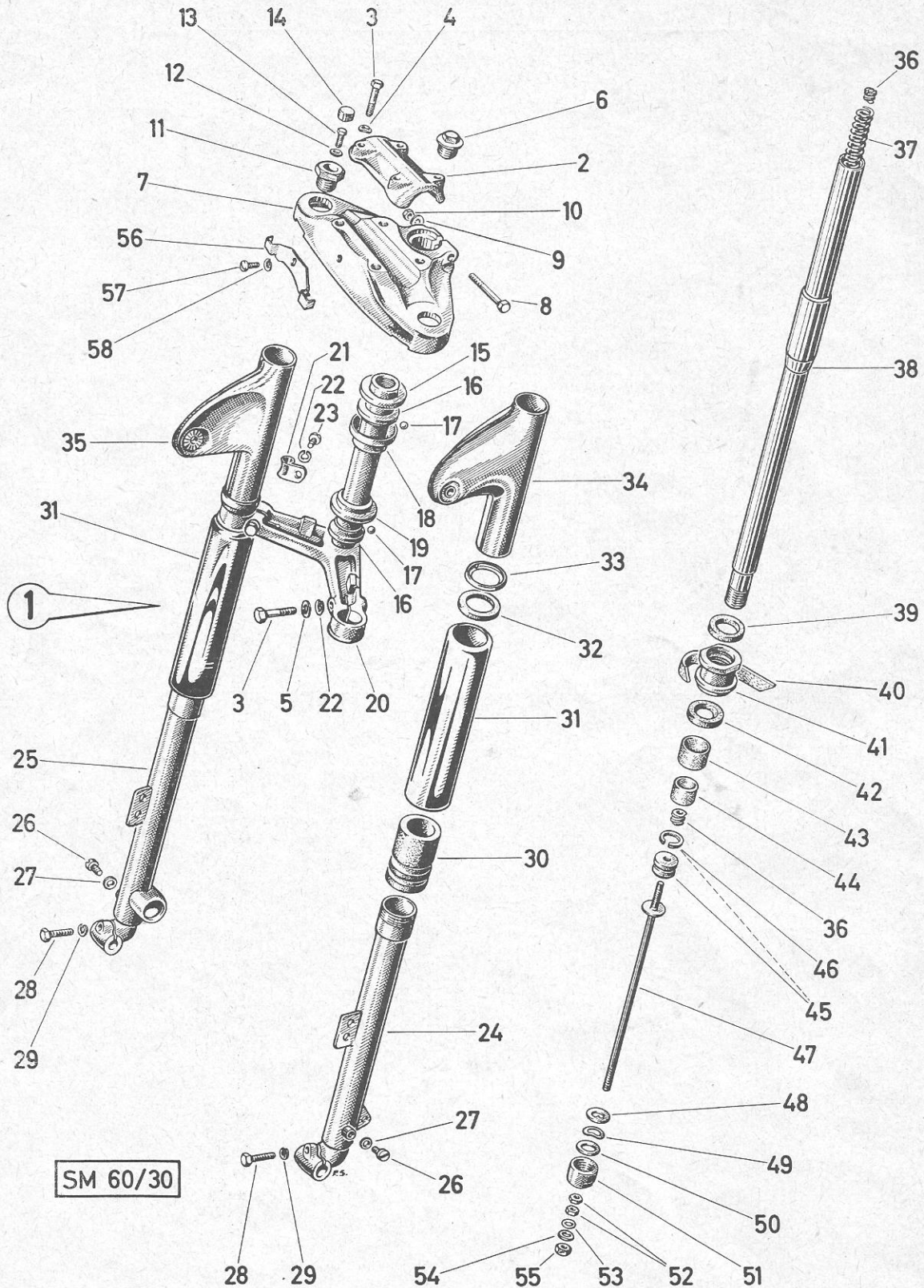
## SHOCK ABSORBERS FOR REAR WHEEL

16

Ref. No.	Part No.	Description	No. Requd.
1	368.1.21.050.0	Spring-type shock absorber complete	2
1a	368.1.21.058.1	Upper shock absorber head	2
2	253.2.2172	Buffer ring 17 mm dia. x 8 mm dia.	2
3	367.1.21.052.1	Sealing screw	2
4	367.1.21.078.1	Rubber seal	2
5	367.1.21.077.1	Spring cup	2
6	367.1.21.080.1	Pressure spring	2
7	367.1.21.079.1	Joint washer 31,8/24,8/2,5	2
8	367.1.21.056.1	Guide bushing	2
9	253.2.2184	Spacer	2
10	253.2.2182	Curved special washer	2
11	253.4.21.077.1	Annular valve	2
12	253.4.21.062.0	Damper piston assy. (with piston ring)	2
13	253.4.21.059.1	Piston ring	2
14	900.3207	Curved washer A 7 DIN 137	2
15	367.1.21.063.1	Jet screw	2
16	367.1.21.064.1	Damper cylinder	2
17	253.2.2165.2	End cap	2
18	364.1.30.035.2	Silentbloc 16/8/28, for upper bearing of shock absorber	2
19	22895	Hexagon bolt M 8x50 DIN 931—8 G, for upper head of shock absorber	2
20	367.1.21.066.1	Tension spring 42 mm dia., 165 long	2
21	368.1.21.069.1	Upper cover tube 52 mm dia., 180 long	2
22	900.1519	Raised cheese head screw M 4x6 DIN 85	2
23	900.3202	Curved washer A 4 DIN 137	2
24	367.1.21.054.1	Lower shock absorber head	2
25	128.2153	Silent bloc 18/10/20	2
26	367.1.21.027.1	Pivot for lower head of shock absorber	2
27	22792	Washer 10,5 DIN 125	2
28	901.2903	Hat nut M 10x1 DIN 1587—8 G	2

17

FRONT FORK AND STEERING



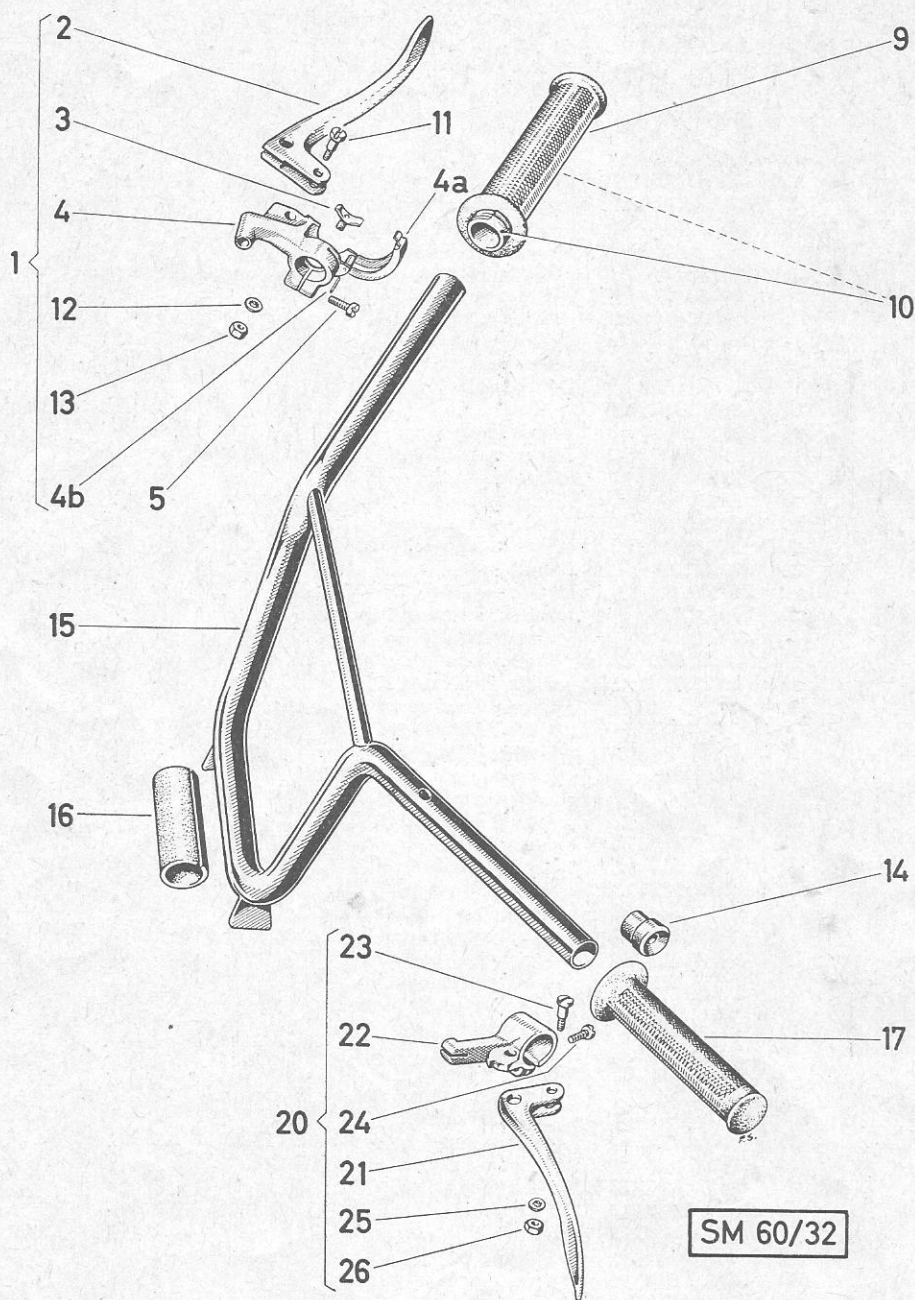
FRONT FORK AND STEERING

17

Ref. No.	Part No.	Description	No. Reqd.
1	368.1.30.000.0/66	Front fork complete	1
2	175.3002	Cover for bridge	1
3	901.1018 or 900.1138	Hexagon bolt M 7x28 DIN 931—8 G Hexagon bolt M 7x30 DIN 931—8 G	} for bottom bridge of fork
	4	900.3207	
5	24796	Washer 7,4 DIN 125	4
6	367.1.30.052.1	Union	1
7	368.1.30.007.1	Top bridge for fork	1
8	900.1135	Hexagon bolt M 7x45 DIN 931—8 G	} for top bridge of fork
		9	
10	900.2012	Hexagon nut M 7—8 G	1
11	367.1.30.012.1	Plug for top bridge	2
12	24795	Washer 6,4 DIN 125	1
13	24928	Hexagon nut M 6x15 DIN 933	} 2
		14	
15	25222	Dust cover	2
16	25220	Bearing cone	2
17	25226	Ball 5 mm dia.	42
18	25221	Bearing shell	1
19	25225	Bearing shell, lower	1
20	367.1.30.006.2/66	Bottom bridge for fork	1
21	128.6305	Shackle	1
22	29189	Spring washer B 7 DIN 127	3
23	900.1517	Raised cheese head screw M 7x10 DIN 85	} 2
		24	
25	368.1.30.016.2/66	Sliding tube r. h. s.	1
26	1426	Cheese head screw AM 5x8 DIN 84	} for oil drain
		27	
28	900.1128	Hexagon bolt M 7x20 DIN 933	2
29	29189	Spring washer B 7 DIN 127	2
30	050.4.3036	Rubber buffer 40,5/28,5/55	2
31	367.1.30.037.1	Cover tube	2
32	368.1.30.040.1	Spacer (rubber)	2
33	368.1.30.041.1	Centering ring	2
34	126.3043.2/66	Headlamp bracket l. h. s.	1
35	126.3044.2/66	Headlamp bracket r. h. s.	1
36	367.1.30.035.1	Top thread carrier	4
37	367.1.30.034.1	Pressure spring	2
38	367.1.30.008.2	Inner fork tube complete	2
39	050.4.3039	Felt washer	2
40	050.4.3049	Scraper ring (felt) 32,5/25/6	2
41	050.4.3027	Splined bushing	2
42	050.4.3029	Grooved collar (rubber, 29 mm medium dia.)	2
43	050.4.3026	Bearing bushing, upper 29,5/25/26	2
44	050.4.3009	Bearing bushing, lower 28/23/26	2
45	367.1.30.050.0	Piston compl. (with part 46)	2
46	253.4.21.059.1	Piston ring	2
47	368.1.30.030.2	Spring bolt	2
48	605.4158	Washer 22/9,7/1,4	2
49	253.2.2182	Curved special washer	2
50	367.1.30.051.1	Annular valve 17,7/9/0,3	2
51	367.1.30.010.1	Lower union for fork leg	2
52	24417	Hexagon lock nut AM 6 DIN 439	4
53	900.3883	Rubber seal RS 6—9—1,5	2
54	24795	Washer 6,4 DIN 125	2
55	900.2106	Hexagon nut M 6 DIN 555	2
56	368.1.30.051.1	Clip for cables	1
57	900.1501	Raised cheese head screw M 5x8 DIN 85	} 1
		58	

18

# HANDLEBAR, THROTTLE TWIST GRIP AND CONTROL LEVERS



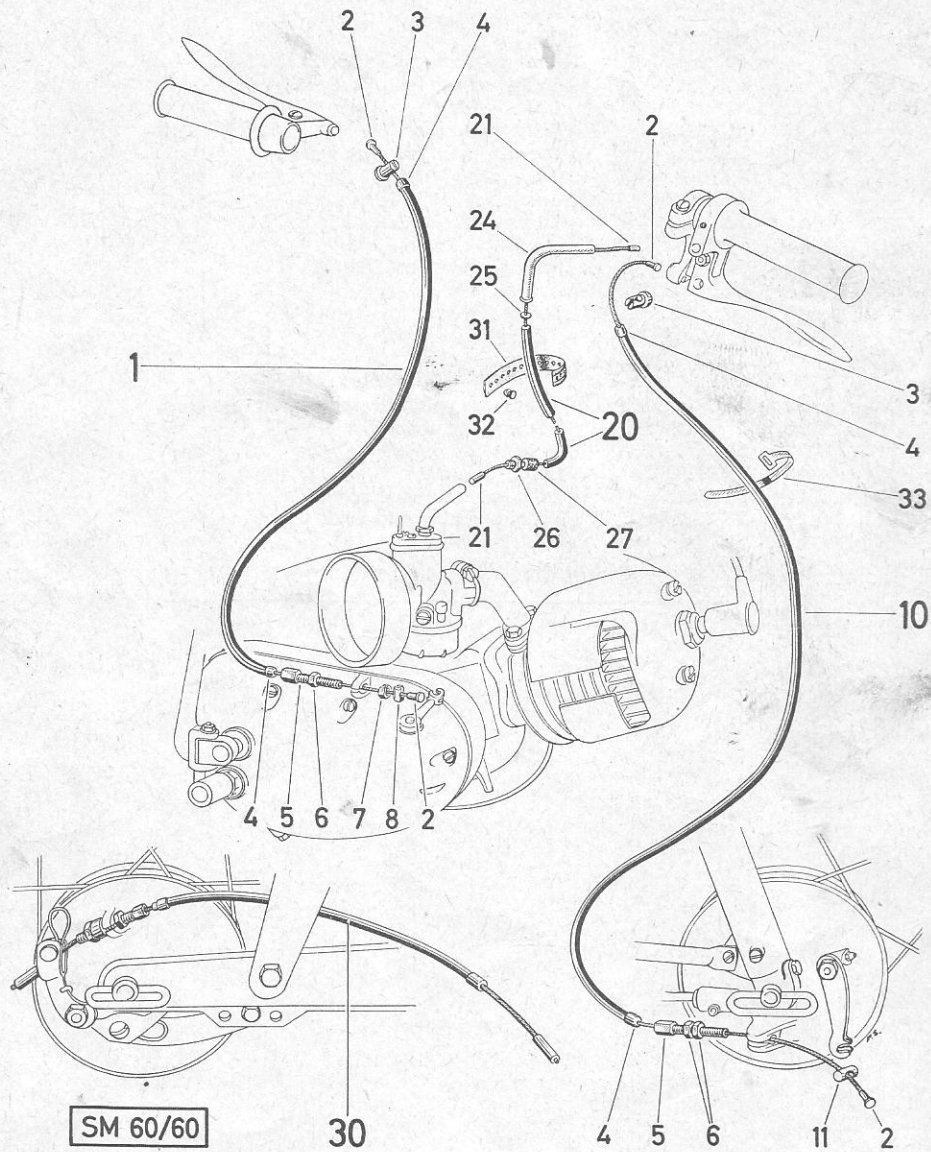
## HANDLEBAR, THROTTLE TWIST GRIP AND CONTROL LEVERS

18

Ref. No.	Part No.	Description	No. Requd.
1	050.3205.0	Throttle twist grip complete	1
2	050.2.3228	Brake control lever	1
3	050.3225.2	Braking spring with screw	1
4	050.3221.0	Twist grip housing complete (with braking spring and raised cheese head screw)	1
4a	050.3223	Cover	1
4b	900.4805	Grooved dowel pin 1,5x12 DIN 1472	1
5	050.3222	Raised cheese head screw (M 6x15)	1
9	050.3216	Twist grip cover	2
10	050.3226.0	Throttle twist grip rotor sleeve complete (with rubber grip)	1
11	050.3227	Lever bolt (M 5)	1
12	22803	Toothed lock washer J 5, 3 DIN 6797	2
13	24772	Hexagon nut M 5 DIN 934	2
14	364.1.32.021.1	Centering plug	1
15	368.1.32.001.2	Handlebar tube	1
16	253.3003	Clamp rubber	1
17	350.2.32.016.1	Dummy rubber grip	1
20	357.1.32.017.0	Clutch control lever complete	1
21	357.1.32.017.1	Lever (hand operated)	1
22	357.1.32.018.1	Articulation piece	1
23	050.3227	Lever bolt (M5)	1
24	050.3222	Raised cheese head screw (M 6x15)	1
25	22803	Toothed lock washer J 5, 3 DIN 6797	1
26	24772	Hexagon nut M 5 DIN 934	1

19

BOWDEN CABLES



BOWDEN CABLES

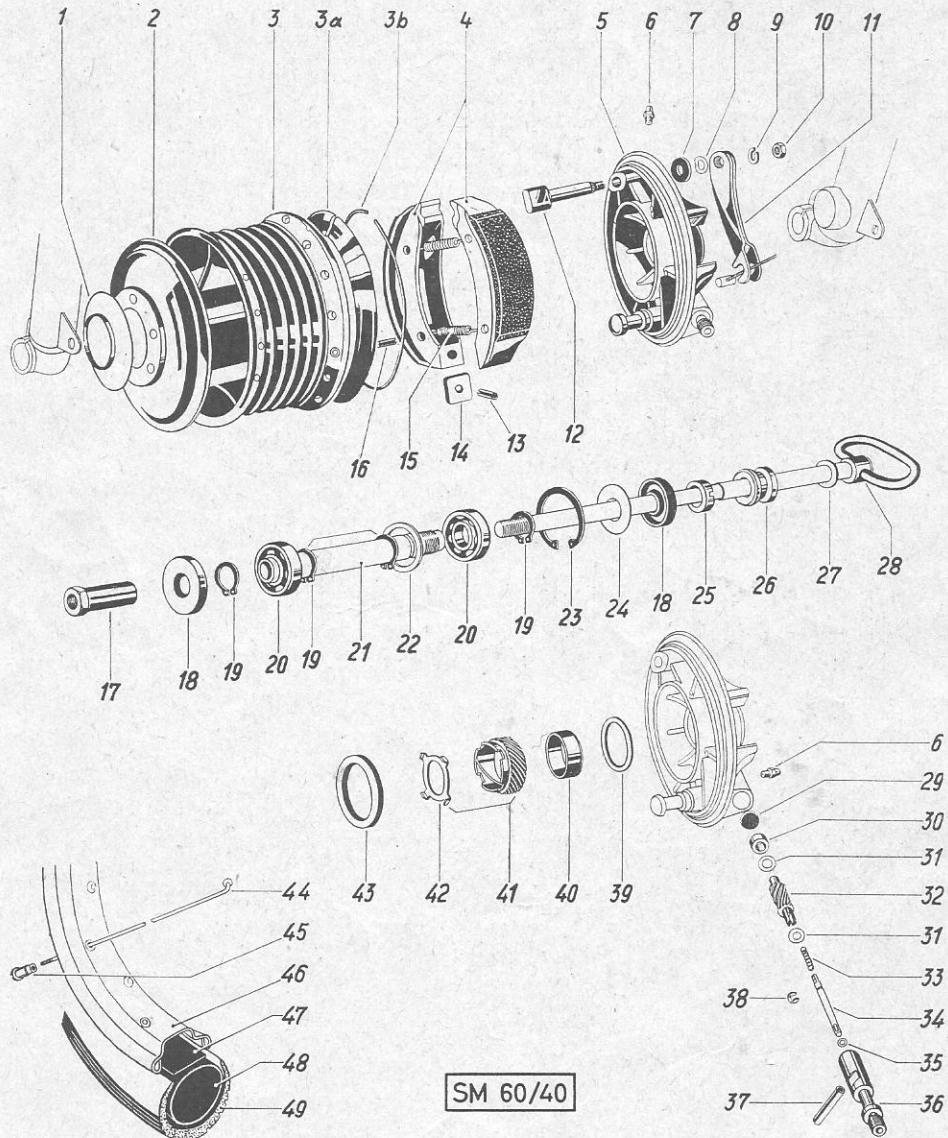
19

Ref. No.	Part No.	Description	No. Requd.
1	<b>368.1.62.000.0</b>	Clutch control cable complete	1
2	360.1.62.015.1	Soldered nipple	4
3	050.1.3208	Nipple holder	2
4	25483	Shell	4
5	250.6010	Adjusting screw	1
6	24774	Hexagon nut M 7 DIN 934	3
7	250.6007	Slotted hexagon nut	1
8	250.6208	Slotted nipple holder	1
10	<b>368.1.63.000.0</b>	Brake control cable	1
11	24384	Nipple holder	1
20	<b>368.1.65.000.2</b>	Carburettor control cable	1
21	050.6505	Soldered nipple	2
24	050.3229	Elbow for carburettor control cable	1
25	900.3102	Plain washer 2,2 DIN 433	1
26	900.2115	Hexagon lock nut BM 5 DIN 439	1
27	050.1520	Cable adjusting screw	1
30	<b>368.1.25.000.0</b>	Brake control cable (for rear wheel) compl.	1
31	320.1.57.001.8	Perforated cable clip 170 long per meter	—
32	320.1.57.002.1	Knob for cable clip	1
33	11733	Cable clip as required	—
—	26645/07	Cover for cable 5,5/3 mm dia. per meter	—
—	26647/07	Cable 2 mm dia. per meter	—
—	050.6501.1/07	Cover for cable 4,9/2,2 mm dia. as required, only for carburettor control cable	—
—	050.6502.1/07 or 26646/07	Cable 1,6 mm dia.	—
—		Cable	—



20

FRONT WHEEL WITH SPEEDOMETER GEARBOX



FRONT WHEEL WITH SPEEDOMETER GEARBOX

20

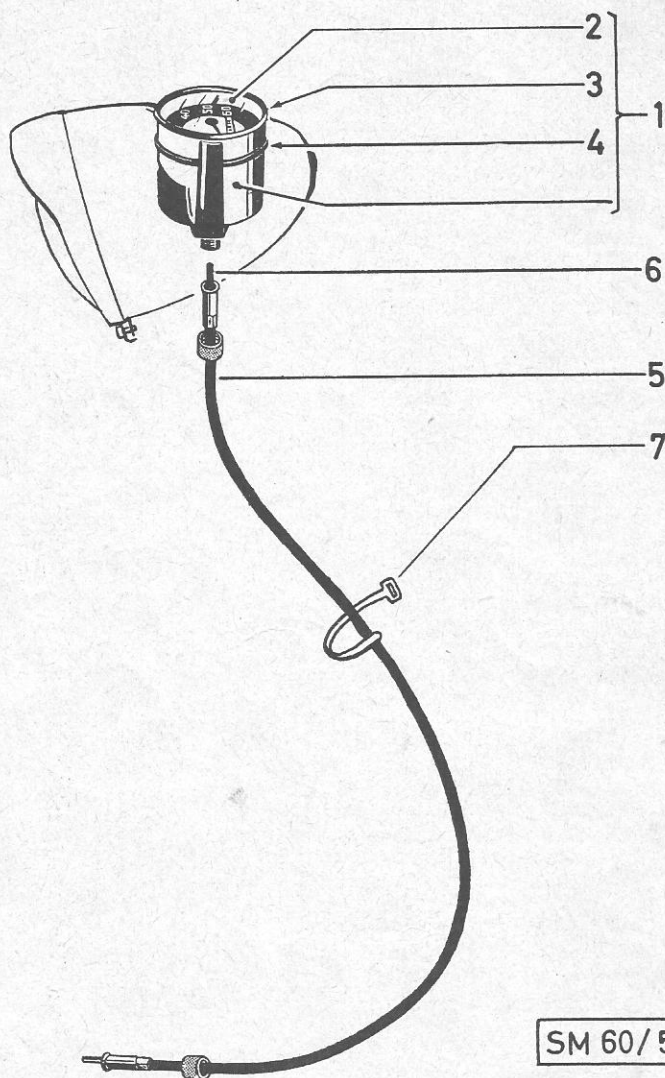
Ref. No.	Part No.	Description	No. Requd.
—	368.1.40.000.0/23	Front wheel complete (without tire)	1
—	368.1.40.002.0	Front wheel full-width hub complete (with interior parts)	1
1	050.4.4045	Hub cap 68 mm dia.	1
2	050.5.4040	Hub cover	1
3	050.4.4104	Brake drum	1
3a	350.1.41.042.1	Guard ring 129,5 mm dia.	1
3b	050.10.1074	Wire circlip	1
4	050.4.4015.0	Pair of brake shoes with glued lining	1
5	050.4.4007.2	Brake cover plate without speedometer gearbox	1
6	26821	Pressure grease nipple (M 6)	2
7	128.2504	Packing ring 20/12/3 (rubber)	1
8	900.3219	Spring washer 21/12, 5/0,2	1
9	26819	Spring washer B 8 DIN 127	1
10	26820	Hexagon nut M 8x1 DIN 934	1
11	050.5.4013.2	Brake lever, 78 long	1
12	050.5.4009.2	Brake cam	1
13	900.4812	Slotted hollow pin 4x10 DIN 1481	2
	050.4.4016	Sliding plate, 3,5 thick	2
14	050.4.4016.3	Sliding plate, 4 thick (for repair)	—
15	050.4.4019	Brake shoe spring, 50 long	2
16	900.4813	Slotted hollow pin 4x16 DIN 1481	4
17	357.1.40.027.1	Nut for axle	1
18	050.4.4025.0	Packing ring 32/15/5,5	2
19	900.4619	Circlip Sg 15x1 DIN 471	4
20	900.6002	Ball race 32/15/9 D 6002 DIN 625	2
21	050.5.4023	Spacer tube	1
22	050.4.4022	Supporting disc 32/25/1,5	1
23	900.4732	Circlip Sg 32x1,2 DIN 472	1
24	050.4.4039	Spacer 32/15, 5/0,5	1
25	050.4.4041	Slotted nut M 14x1 (inside)	1
26	357.1.40.043.1	Thrust ring 20/12, 5/9	1
27	050.1.4029	Disc 18/10, 5/2,5	1
28	368.1.40.026.2	Front wheel axle (knock-out axle)	1

PARTS FOR SPEEDOMETER DRIVE

29	050.4.4067	Washer 13,5 mm dia. (plastic)	1
30	050.4.4066	Bushing 14/8/7	1
31	050.4.4065	Thrust washer 13/8/0,3	2
32	050.4.4061	Speedometer gear (12 teeth)	1
33	050.4.4068	Thrust spring, 14 long	1
34	050.4.4058	Driving shaft, 40 long	1
35	900.3961	Thrust washer 7,5/4/0,3	1
36	050.4.4063	Connecting piece	1
37	900.4815	Slotted hollow pin 5x25 DIN 1481	1
38	900.4603	Bz-circlip 3,2 DIN 6799	1
39	050.4.4055	Thrust washer 33,5/26,5/0,3	1
40	050.4.4056	Bushing 28/25/9,5	1
41	050.4.4060.2	Speedometer gear (with driver) (22 teeth)	1
42	050.4.4059	Driver (as required)	1
43	050.4.4042	Packing ring 48/37/4,5	1
44	050.4.4030	Spoke, 2,5 mm dia., 189 long	36
45	600.4007	Nipple 48 turns p. inch	36
46	050.2.4033/23	Rim	1
47	900.0840	Chafing strip 19"	1
48	900.0843	Inner tube 23—2,25	1
49	901.0824	Goss-country tire Grips 23—2,25	1

21

SPEEDOMETER WITH DRIVE



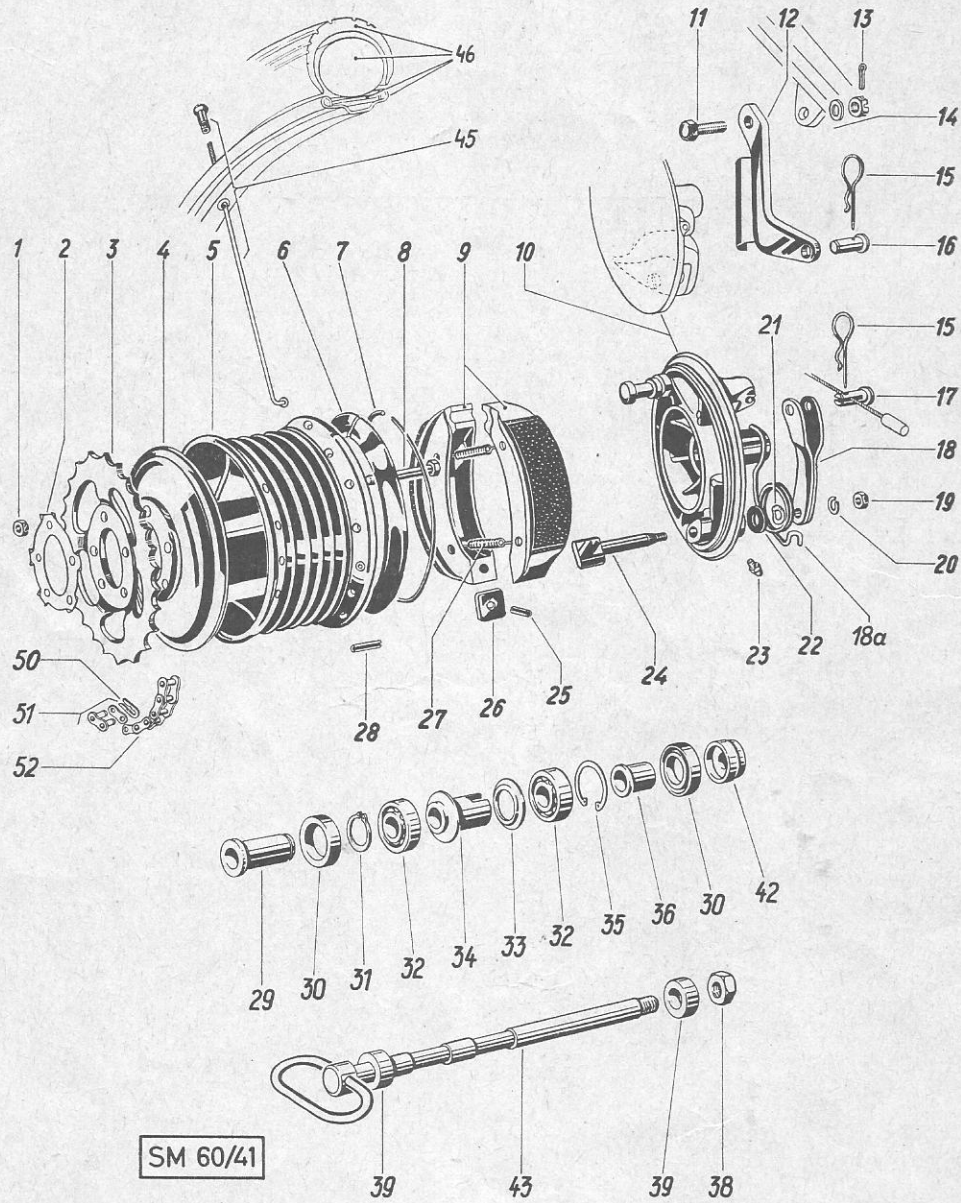
## SPEEDOMETER WITH DRIVE

21

Ref. No.	Part No.	Description	No. Requd.
1	364.1.53.824.0	Speedometer 48 mm dia. (60 miles)	1
2	050.1.5322	Speedometer glass 51 mm dia.	1
3	050.1.5323	Rubber ring 1,3x40 mm dia. for inside of speedometer glass	1
4	050.5327	Rubber ring 49/44/1,5 for outside of speedometer	1
5	360.1.53.025.0	Speedometer driving shaft complete, 735 long	1
6	360.1.53.025.2	Speedometer driving shaft (core alone)	1
7	11733	Cable clip	1

22

REAR WHEEL, DRIVING CHAIN



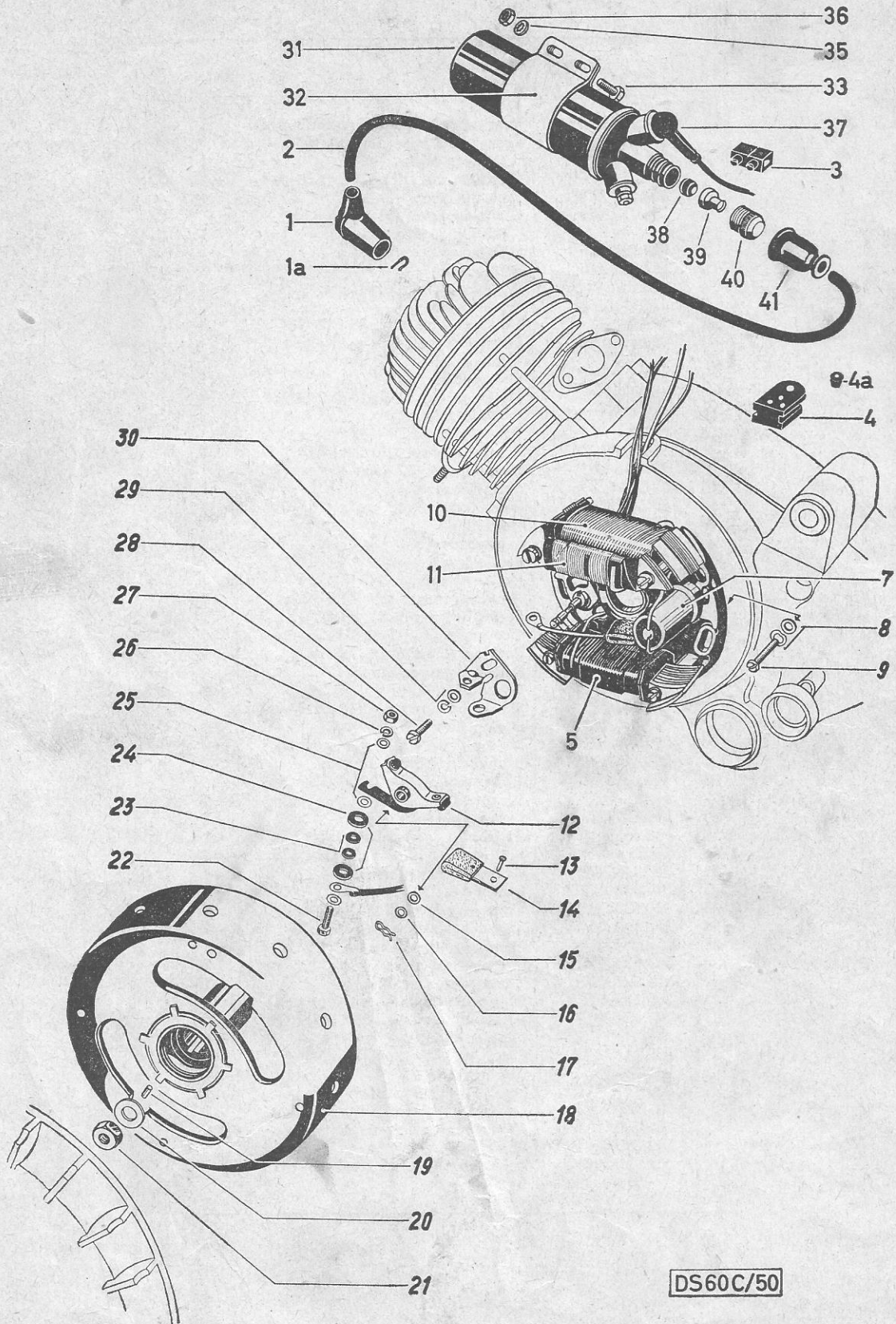
REAR WHEEL, DRIVING CHAIN

22

Ref. No.	Part No.	Description	No. Requd.
—	368.1.41.000.0/23	Rear wheel complete (without tire)	1
—	368.1.41.002.0	Rear wheel hub complete (with interior parts)	1
1	24774	Hexagon nut DIN 934	5
2	350.1.41.010.1	Securing plate	1
3	364.1.41.009.1	Chain sprocket (31 teeth) (height 21 mm)	1
4	050.5.4040	Hub cover	1
5	357.1.41.004.1	Brake drum	1
6	350.1.41.042.1	Guard ring 129,5 mm dia.	1
7	050.10.1074	Wire circlip	1
8	28972	Hexagon bolt M 7x50 DIN 931-8G	5
9	050.4.4015.0	Pair of brake shoes with glued lining	1
10	357.1.41.007.1	Brake cover plate	1
11	900.1072	Hexagon bolt M 8x20 S DIN 931	1
12	357.1.41.028.2	Brake stop clip	1
13	22764	Split pin 2x20 DIN 94	1
14	900.2924	Castle lock nut M 8 DIN 937	1
	24806	Plain washer 8,4 DIN 433	1
15	101.1.4113	Securing spring	2
16	050.4.4129	Retaining bolt for brake stop clip	1
17	101.1.4112	Retaining bolt (slotted) for brake lever	1
18	050.7.4113.2	Brake lever	1
18a	350.4.41.015.1	Restoring spring	1
19	26820	Hexagon nut M 8x1 DIN 934	1
20	26819	Spring washer B 8 DIN 127	1
21	900.3219	Curved washer 21/12,5/0,2	1
22	128.2504	Packing ring 20/12/3 (rubber)	1
23	26821	Pressure grease nipple (M 6)	1
24	050.5.4009.2	Brake cam	1
25	900.4812	Slotted hollow pin 4x10 DIN 1481	2
26	050.4.4016	Sliding plate 3,5 thick	2
	050.4.4016.3	Sliding plate 4 thick (for repair)	—
27	050.4.4019	Brake shoe spring 50 long	2
28	900.4813	Slotted hollow pin 4x16 DIN 1481	4
29	357.1.41.025.1	Spacer	1
30	900.3837	Packing ring 32/18/8	2
31	900.4618	Circlip Sg 18x1,2 DIN 471	1
32	23836	Ball race 32/12/10 6201 DIN 625	2
33	357.1.41.022.1	Centering cup	1
34	357.1.41.023.2	Spacer tube	1
35	900.4732	Circlip Sg 32x1,2 DIN 472	1
36	357.1.41.024.1	Thrust bushing	1
38	25015	Hexagon nut M 12x1 DIN 934-8 G	1
39	357.1.41.051.1	Intermediate piece	2
42	357.1.41.030.1	Thrust washer r. h. s.	1
43	368.1.41.026.2	Rear wheel axle (knock-out axle)	1
45	050.4.4030	Spoke 2,5 mm dia., 189 long	36
	600.4007	Nipple, 48 turns p. inch	36
	050.2.4033/23	Rim	1
46	900.0840	Chafing strip 19"	1
	900.0843	Inner tube 23x2,25"	1
	901.0824	Cross-country tire Grips 23—2,25	1
50	28425	Chain master link spring	1
51	100.2820.0	Chain master link	1
52	102.1.28.010.0	Rear chain (12,7x5,21x8,5) 96 links	1

23

GENERATOR, IGNITION COIL



DS60C/50

GENERATOR, IGNITION COIL

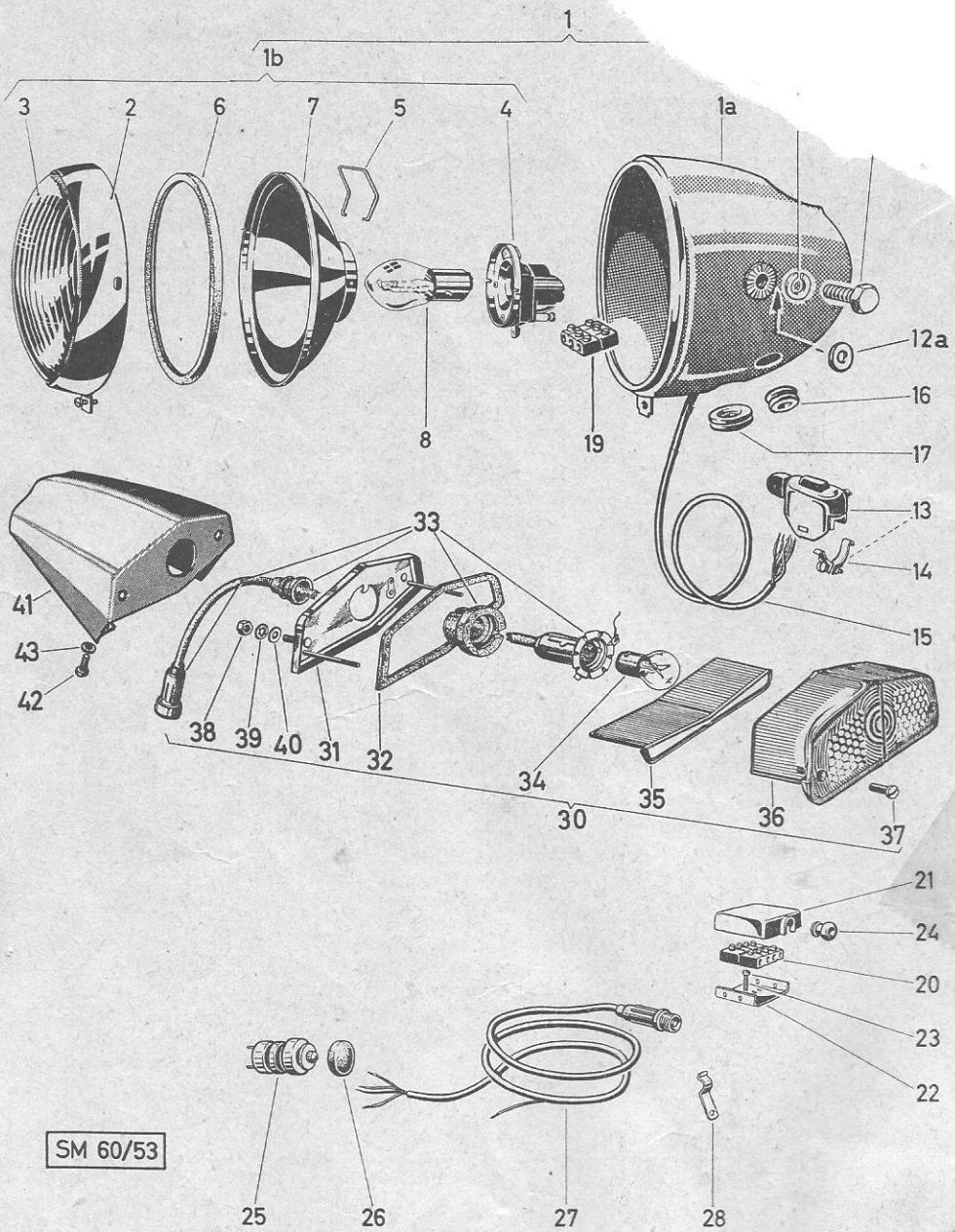
23

	Description	No. Requd.
	Flywheel magneto generator (Bosch LM/URP 1/116/29/1)	1
	Cable plug	1
	Securing spring (inside cable plug)	1
	Ignition cable 7 mm dia. (315 long) p. m.	—
	Not for this model	—
	Rubber socket	1
4a	364.1.52.601.1 Cable socket	1
5	364.1.50.612.2 Ignition-generator armature	1
7	500.2.50.013.2 Condenser	1
8 {	900.3951 Washer 10/4, 3/1	3
	900.3202 Curved washer A 4 DIN 137	3
or	900.3253 Serrated star washer J 4, 3 DIN 6798	3
9	27458 Raised cheese head screw AM 4x15 DIN 85	3
10	364.1.50.611.2 Light armature	1
11	364.1.50.614.2 Stop light armature	1
12	901.0726 Contact breaker lever	1
13	900.0798 Tubular rivet for lubricator felt pad	1
14	900.0794 Lubricator felt pad	1
15	24802 Plain washer 4,3 DIN 433	2
16 {	900.3946 Spacer shim 8/4, 3/0,1	} as required
	900.3946.2 Spacer shim 8/4, 3/0,2	
	900.3946.5 Spacer shim 8/4, 3/0,05	
17	100.5599 Securing spring	1
18	364.1.50.610.2 Flywheel	1
19	28776 Roller 3 mm dia. x 5	1
20	24807 Plain washer 10,5 DIN 433	1
21	900.2010 Hexagon lock nut M 10x1 DIN 70616-8 G	1
22	900.1133 Hexagon bolt M 3x10 DIN 933	1
23	900.3962 Insulating washer, small 6/3/1	2
24	900.3963 Insulating washer, large 12/3/1	2
25	24792 Washer 3,2 DIN 125	3
26	900.3203 Spring washer B 3 DIN 127	1
27	24770 Hexagon nut M 3 DIN 934	1
28	28881 Cheese head screw M 4x10 DIN 84	1
29 {	22796 Spring washer B 4 DIN 127	1
	24793 Washer 4,3 DIN 125	1
30	364.1.50.615.2 Contact carrier	1
31	901.0769 Ignition coil 40 mm dia. (Bosch TJ 6/6)	1
32	150.5301.2 Ignition coil shackle	1
33	24928 Hexagon bolt M 6x15 DIN 933	2
35	22804 Toothed lock washer J 6,4 DIN 6797	2
36	900.2106 Hexagon nut M 6 DIN 555	2
37	25396 Cable socket for ignition coil	2
38	900.0747 Rubber clamp	1
39	900.0746 Pressure sleeve	1
40	900.0745 Outer threaded bushing	1
41	28664 Cable socket	1



24

HEADLAMP, TAIL-STOP-LIGHT AND

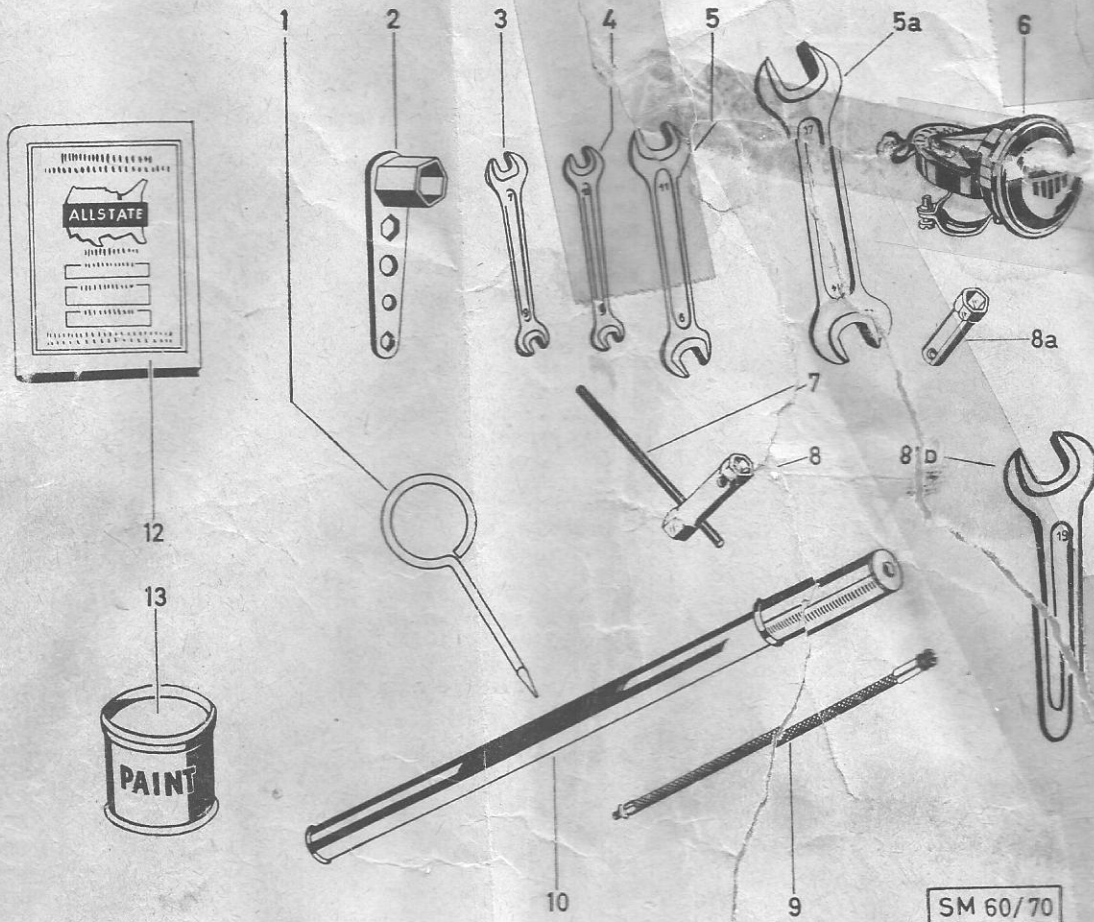


HEADLAMP, TAIL-STOP-LIGHT AND SWITCH

24

Ref. No.	Part No.	Description	No. Requd.
1	368.1.53.200.0	Headlamp complete	1
1a	368.1.53.201.2	Headlamp shell	1
1b	368.1.53.202.1	Headlamp interior assembly complete	1
2	368.1.53.203	Headlamp rim	1
3	364.1.53.204.1	Headlamp glass	1
4	364.1.53.819.0	Bulb holder	1
5	364.1.53.820.1	Retaining spring	1
6	100.53*2	Rubber packing ring (U-profile, 110 mm dia.)	1
7	364.53.808.1	Reflector	1
8	364.53.812.1	Bulb for headlamp B 6,4 V 25/25 W DIN 72601	1
11	26819	Spring washer B 8 DIN 127	2
12	900.1104	Hexagon bolt M 8x25 DIN 933	2
12a	122.3048	Rubber washer for head lamp bracket	2
13	357.1.53.017.0	Combined switch complete	1
14	357.1.53.018.0	Shackle complete	1
15	900.0125/07	Harness (5 wires, 760 long) per meter	—
16	100.1.5041	Grommet for light circuit and dimmer switch	2
17	28772	Grommet, speedometer driving shaft	1
19	170.5703	Soft rubber clamp (3 rows)	1
20	364.1.57.001.0	Soft rubber clamp (4 rows)	1
21	368.1.57.001.1	Cover for clamps	1
22	368.1.57.002.1	Support for cover	1
23	900.1302	Cheese head screw for support AM 3x15 DIN 84	2
24	170.5037	Grommet	2
25	357.1.55.020.0	Stop-light-switch complete	1
26	357.1.55.025.1	Cap	1
27	368.1.57.200.0	Harness compl.	1
28	101.1.3041	Retaining spring	1
30	407.1.55.200.0	Tail-stop-light complete	1
31	407.1.55.209.2	Base plate	1
32	407.1.55.217.1	Rubber cord gasket	1
33	407.1.55.219.9	Head lamp socket complete (with cable, rubber bushing and plug adapter)	1
34	902.0709	Twin-filament bulb 6 V 18/3 W type no. 1154, basis no. 5	1
35	407.1.55.207.1	Window	1
36	407.1.55.201.1	Tail-stop-light body	1
37	407.1.55.212.1	Fixing screw (thread no. 4 B. S. 93:1919)	2
38	407.1.55.216.1	Hexagon nut	2
39	22803	Toothed lock washer J 5, 3 DIN 6797	2
40	24794	Washer 5,3 DIN 125	2
41	368.1.57.200.0/2/66	Tail-stop-light bracket	1
42	23319	Hexagon bolt M 5x12 DIN 933	4
43	22803	Toothed lock washer J 5, 3 DIN 6797	4

**25** TOOLS, CLAXON, TIRE PUMP



Ref. No.	Part No.	Description	No. Requd.
—	368.1.70.200.0	Set of tools complete	1
1	050.2.7021	Screw driver	1
2	050.7001.2	Socket wrench for spark plug	1
3	19599	Wrench 6/7 DIN 895	1
4	10181	Wrench 8/10 DIN 895	1
5	24324	Wrench 9/11 DIN 895	1
5a	24323	Wrench 14/17 DIN 895	1
6	364.1.56.800.0	Claxon	1
7	050.7022	Pin 6 mm dia., 115 mm long	1
8	350.1.70.008.1	Socket wrench 10/11	1
8b	900.7010	Wrench 19 DIN 894	1
9	050.7023.2	Tire pump tube, 200 mm long	as required
10	050.7024.0	Tire pump	1
12	368.1.00.631.0	Service Manual (Parts List)	1
13	900.0237/10	Touch-up paint, coral, 1/8 kg (0,276 lbs)	not included
	900.0251/10	Touch-up paint, beige, 1/8 kg (0,276 lbs)	