

GRANDE Model



vespa[®]
PIAGGIO

catalogue of spare parts

CATALOGUE OF SPARE PARTS



GRANDE Model (without turn signals)



GRANDE Model (with turn signals)

NOTICE

On this catalogue there are illustrated the parts supplied as spares for moped « Grande » 048 - 1001 → models produced in the following versions:

30 m. p. h.	} With & without turn signals
25 m. p. h.	
20 m. p. h.	

On each illustrated table the parts are marked by a number, on the parts list it is carried out the corresponding drg. number, part name, quantity and model for which the concerning parts are valid.

At the end of this publication there is the index of spare parts drg. numbers.

NOTE: The belonging of specific parts to the versions in reference is carried out on « Part name » column.
When specific remarks are not carried out, validity is to be intended for all versions.

T.1 ENGINE

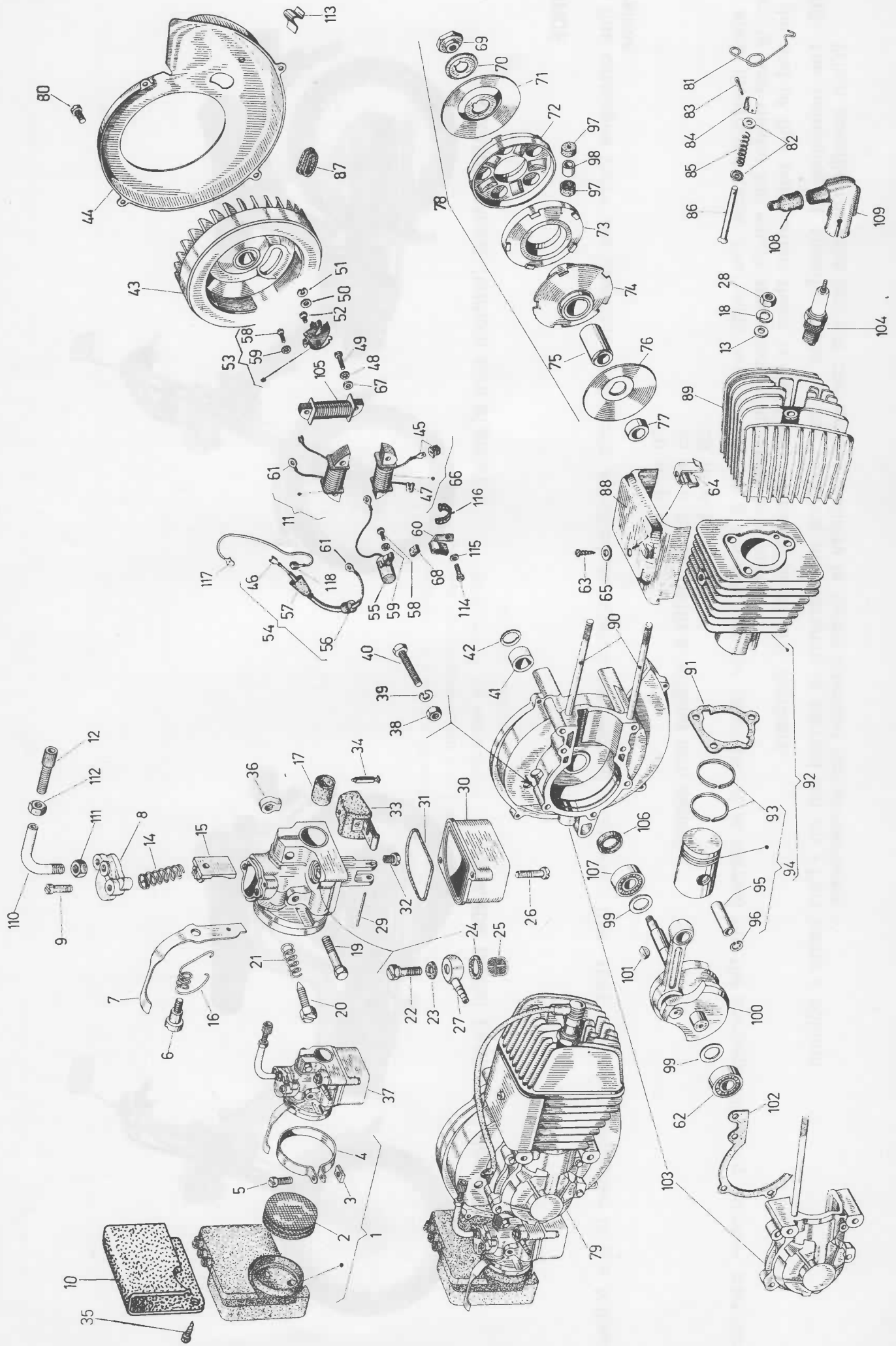


Fig. N	PART - NAME	Part. No.	Quantity	Fig. N	PART - NAME	Part. No.	Quantity	Fig. N	PART - NAME	Part. No.	Quantity
1	Air cleaner, assy.	306922	1	20	Slow running screw	113919	1	39	Spring washer for coupling crankcase halves	S. 6966	5
2	Filter element	131009	1	21	Slow running screw	98135	1	40	Crankcase halves coupling bolt	S. 30055	5
3	Square nut	S. 1565	1	22	Screw for sec. banjo union	113917	1	41	Cam	103137	1
4	Collar	113055	1	23	Packing for screw	98136	1	42	Spring washer for cam	102943	1
5	Air cleaner sec. screw	S. 10047	1	24	Banjo union packing	113915	1	43	Flywheel fan (without turn signals)	103485	1
6	Starter valve pin	113922	1	25	Fuel filter	113916	1	43	Flywheel fan (with turn signals)	148125	1
7	Starter lever	353882	1	26	Float chamber sec. screw	98134	2	44	Fan cover	152040	1
8	Throttle slide cover	113902	1	27	Banjo union	113914	1	45	Rubber plug	122390	1
9	Screw sec. cover	113906	2	28	Nut for sec. cylinder head to cylinder	S. 20107	3	46	Contact plug (without turn signals)	71482	1
10	Air filter upper cover	306877	1	29	Pivot for float	85291	1	47	Tag	S. 15005	2
11	Coil feeding the H. T. outer coil (without turn signals)	120391	1	30	Float chamber	113908	1	48	Spring washer	S. 16404	4
11	Coil feeding the H. T. outer coil (with turn signals)	162933	1	31	Packing for float chamber	113909	1	49	Coils sec. screw	S. 15612	4
12	Adjusting screw	98128	1	32	Main jet (25 - 30 mph.)	158780	1	50	Spacer washer	622	2+3
13	Plain washer for sec. cylinder head	S. 3057	1	32	Main jet (20 mph.)	120519	1	51	Circlip	S. 5962	1
14	Spring for throttle	113901	1	33	Float	113910	1	52	Bracket sec. screw	S. 10028	1
15	Throttle slide	135734	1	34	Needle	90506	1	53	Contact breaker	103133	1
16	Starter lever spring	113923	1	35	Cover sec. screw	S. 8265	1	54	L. T. cable, assy. (without turn signals)	180823	1
17	Insulating reduction	114482	1	36	Nut	113927	1	55	Condenser (without turn signals)	102939	1
18	Spring washer for sec. cylinder head	S. 6977	4	37	Carburettor, assy. (25 - 30 mph)	353881	1	55	Condenser (with turn signals)	162935	1
19	Screw for bellows	113926	1	37	Carburettor, assy. (20 mph.)	307174	1				
				38	Crankcase halves sec. nut	S. 20106	5				

Fig. N.	PART - NAME	Part. No.	Quantity	Fig. N.	PART - NAME	Part. No.	Quantity	Fig. N.	PART - NAME	Part. No.	Quantity
106	Oil seal	112978	1								
107	Bearing, flywheel side	S. 8753	1								
108	Sparking plug cap	155753	1								
109	Sparking plug shielded cap	155475	1								
110	Throttle sleeve	113903	1								
111	Nut	120074	1								
112	Nut	120073	1								
113	Spring on fan cover	122181	1								
114	Screw sec. felt pad bracket (with turn signals)	S. 15544	1								
115	Spring washer sec. felt pad bracket (with turn signals)	S. 12554	1								
116	Strap (with turn signals)	145298	1								
117	Tag	71054	1								
118	Tag	S. 15008	1								

a) With parts Fig.: 2 - 3 - 4 - 5.

b) With part Fig.: 61.

c) With parts Fig.: 6 - 7 - 8 - 9 - 12 - 14 - 15 - 16 - 17 - 19 - 20 - 21 - 22 - 23 - 24 - 25 - 26 - 27 - 29 - 30 - 31 - 32 - 33 - 34 - 36 - 110 - 111 - 112.

d) With parts Fig.: 50 - 51 - 58 - 59.

e) Delivered in the categories 1 - 2 - 3 - 4.

f) With parts Fig.: 38 - 39 - 40.

g) With parts Fig.: 46 - 57 - 61 - 117 - 118.

h) With parts Fig.: 45 - 47.

i) With parts Fig.: 69 - 70 - 71 - 72 - 73 - 74 - 75 - 76 - 77 - 97 - 98.

l) It includes all parts of T. I excepted those ones concerning the unit of fig. 78 and its fasteners.

m) With part Fig.: 94.

n) With parts Fig.: 93 - 95 - 96.

o) With parts: 122429 Contact plug 162937 Grommet.

Fig. N	PART - NAME	Part. No.	Quantity	Fig. N	PART - NAME	Part. No.	Quantity	Fig. N	PART - NAME	Part. No.	Quantity
1	Unit securing brake cable	154533	1	29	Circlip	S. 6426	1	60	Plug	104469	6
2	Wheel shoulder washer	131514	1	30	Oil seal	S. 8771	1	61	Spring washer	S. 6966	4
3	Washer	S. 13877	1	31	Circlip	S. 16702	1	62	Crankcase sec. bolt	S. 31091	4
4	Rear brake drum	138449	1	32	Washer	120215	1	63	Packing	397	1
5	Oil seal	131511	1	33	Shoulder washer	120214	1	64	Oil plug	S. 30280	1
6	Pin	130579	1	34	Clutch plate anchor plate	124777	1	65	Rear brake lever	141177	1
7	Jaws return spring	103062	1	35	Centrifugal weight return spring	124783	3	66	Plain washer	S. 3057	2
8	Rivet	S. 10882	1	36	Centrifugal weights for transmission	124781	3	67	Lever sec. circlip	S. 5965	1
9	Jaws sec. plate	103061	1	37	Cup bearing, open	103614	3	68	Jaws sec. circlip	103112	1
10	Spring sec. plate	103060	1	38	Oil seal (outer Ø 19.2)	103614	1	69	Rear brake transmission bolt	S. 15525	1
11	Cup bearing	131509	1	38	Oil seal (outer Ø 22.5)	S. 8766	1	70	Spacer	102414	1
12	Spring pin	S. 8808	1	39	Driving pulley spring	S. 17002	1	71	Plate	102413	1
13	Rear wheel shaft	132903	1	40	Adjustable pulley, half	104662	1	72	Nut	S. 20207	1
14	Pin	131503	1	41	Fixed pulley, half	174456	1	73	Rear hub, assy. (25 - 30 mph.)	152423	1
15	Spring	131502	1	42	Stop washer	103823	1	73	Rear hub, assy. (20 mph.)	354045	1
16	Shoulder washer	131512	1	43	Nut	103826	1	74	Shoulder washer	131513	1
17	Cup bearing, closed	103613	5	44	Spring washer for securing clutch	S. 12540	1	75	Buffer	120262	2
18	Cup bearing, closed	103689	1	45	Nut	S. 20108	1	76	Plug	4282	1
19	Crankcase half cover	131021	1	46	Driving pulley and clutch	160944	1	77	Hub sec. bolt	S. 31150	2
20	Gear (25 - 30 mph.)	131505	1	47	Rear brake jaw	130240	1	78	Lock washer	S. 16410	2
20	Gear (20 mph.)	136952	1	48	Packing	103105	1				
21	Pinion shaft (25 - 30 mph.)	103236	1	49	Plug	S. 6057	1				
21	Pincon shaft (20 mph.)	124074	1	50	V - belt	2/130937	1				
22	Gear (25 - 30 mph.)	103237	1	51	Key	267	1				
22	Gear (20 mph.)	124075	1	51	Shoulder washer	103386	1				
23	Intermediate gear (25 - 30 mph.)	131248	1	52	Brake jaw plate	103059	1				
23	Intermediate gear (20 mph.)	139993	1	53	Spring	103054	1				
24	Rear hub housing, half	131529	1	54	Packing	S. 6705	1				
25	Clutch drum	123146	1	55	Lever	131031	1				
26	Centrifugal weights for starting	120870	2	56	Outer push piece	144028	1				
27	Centrifugal weight return spring	144025	2	57	Fork	131523	1				
28	Push ring	121022	1	59	Spring	104468	3				

a) With parts Fig.: 3 - 66 - 69 - 70 - 71 - 72.
 b) With parts Fig.: 5 - 11 - 17.
 c) With parts Fig.: 12 - 14 - 15 - 16 - 74.
 d) With parts Fig.: 6 - 17 - 18 - 37 - 38 - 49 - 54 - 56.
 e) With part Fig.: 75.
 f) With part Fig.: 35.
 g) With parts Fig.: 25 - 26 - 27 - 28 - 29 - 30 - 31 - 32 - 33 - 34 - 35 - 36 - 37 - 38 - 39 - 40 - 41 - 42 - 43 - 59 - 60.
 h) With part Fig.: 53.
 i) With parts Fig.: 2 - 7 - 13 - 15 - 16 - 19 - 20 - 21 - 22 - 23 - 24 - 47 - 48 - 52 - 55 - 58 - 61 - 62 - 65 - 66 - 67 - 68 - 74.

III FRAME

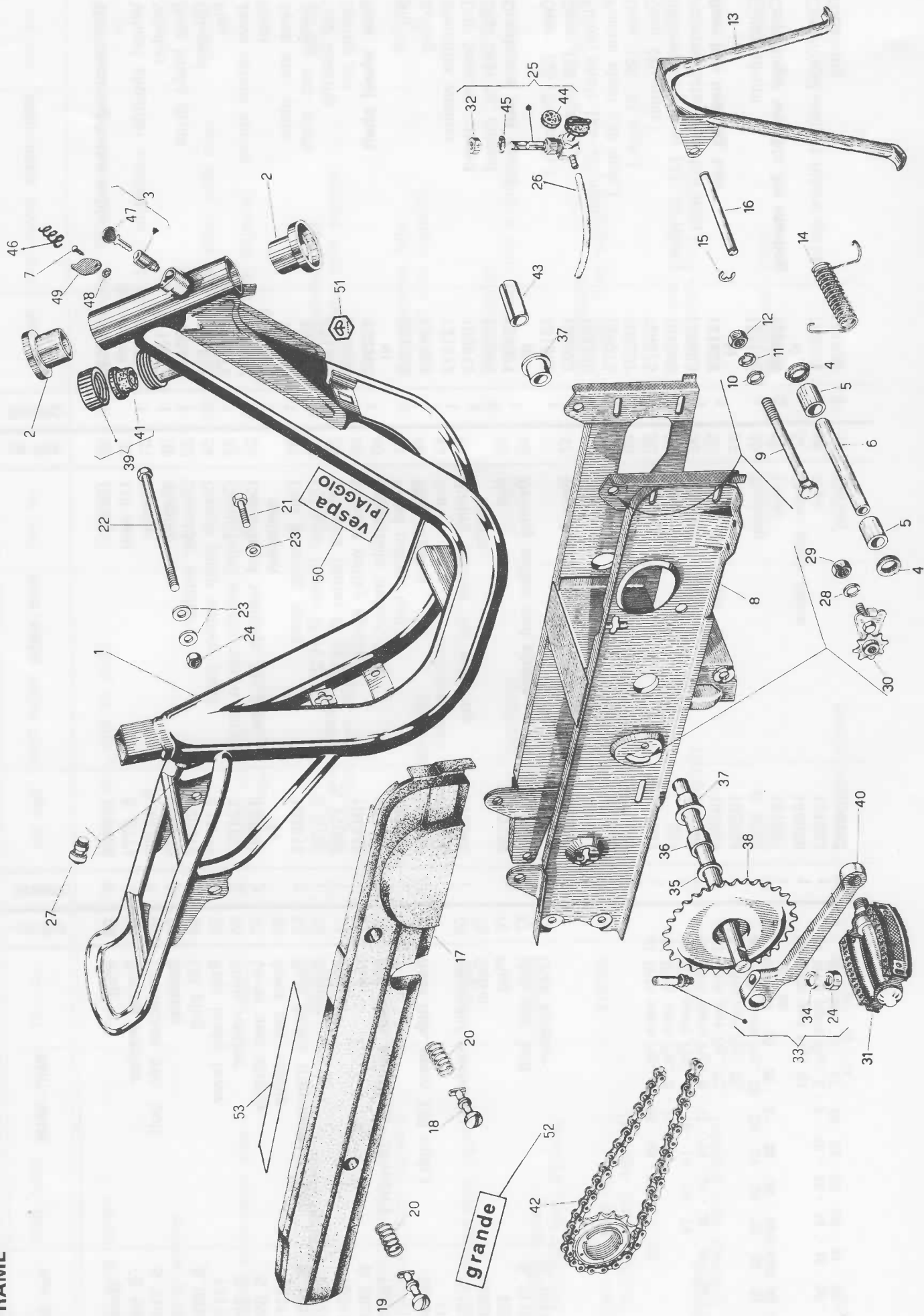


Fig. N.	PART - NAME	Part. No.	Quantity	Fig. N.	PART - NAME	Part. No.	Quantity	Fig. N.	PART - NAME	Part. No.	Quantity
1	Chassis, assy.	307102	1	19	Screw for sec. protection cover, long	132871	2	42	Chain	102989	1
2	Steering track	G. 22937	2	20	Spring	122957	4	43	Spacer for crank spindle	140968	1
3	Security lock, assy.	152096	1	21	Bolt, short	S. 31092	1	44	Packing	118175	1
4	Dust cover	122672	2	22	Bolt, long	S. 8977	2	45	Packing	122523	1
5	Bush for articulation brackets	136090	2	23	Plain washer	S. 6176	5	46	Spring	152195	1
6	Spacer for swinging basic structure	122670	1	24	Nut	S. 20006	4	47	Key for security lock	120329	2
7	Pivot	152099	1	25	Fuel cock, assy.	307140	1	48	Stop washer	152098	1
8	Swinging basic structure (without turn signals)	353853	1	26	Hose	c) 353829	1	49	Security lock cover	152097	1
8	Swinging basic structure (with turn signals)	307187	1	27	Breather	306654	1	50	Transfer (decal.) for frame	307326	2
9	Swinging basic structure sec. bolt	S. 30113	1	28	Plain washer	S. 3058	1	50	Transfer (decal.) for frame	●) 307325	2
10	Plain washer securing swinging basic structure	S. 16626	1	29	Chain sprocket sec. nut	S. 20008	1	51	Transfer (decal.) Piaggio emblem	307129	2
11	Spring washer	S. 16410	1	30	Chain tension sprocket	102990	1	52	Transfer (decal.) for lateral covers	307137	2
12	Swinging basic structure sec. nut	S. 15252	1	31	Couple of pedals	156913	1	53	Emblem transfer (decal.) for R. H. cover	306903	1
13	Central stand	139169	1	32	Nut	122522	1	53	Emblem transfer (decal.) for L. H. cover	306904	1
14	Central stand spring	135976	1	33	Crank cotter pin, assy.	114219	2				
15	Circlip	S. 5955	2	34	Crank cotter pin sec. washer	S. 3057	2				
16	Central stand sec. pivot	135880	1	35	Plain washer for crank	103557	1				
17	Protection cover, R. H.	353854	1	36	Spacer	143104	1				
17	Protection cover, L. H.	353855	1	37	Crank bush	141737	2				
18	Screw for sec. protection cover, short	132872	2	38	Crank spindle	143937	1				
				39	Filler cap, assy.	163306	1				
				40	Crank, R. H.	143326	1				
				40	Crank, L. H.	143327	1				
				41	Filler cap packing	123177	1				

a) Also the o/s tracks drg. No. 306073 (o/s 0.2) and drg. No. 306074 (o/s 0.4) are delivered.

b) With part Fig.: 47.

c) With parts Fig.: 32 - 44 - 45.

d) With part Fig.: 41.

e) Also the key blank drg. No. 120330 is delivered.

f) With parts Fig.: 24 - 34.

●) Fitted on grey frames.

△) Fitted on red frames.

*) Fitted on sky-blue frames.

T. IV SILENCER, MUDGUARDS AND SADDLE



Fig. N°	PART - NAME	Part. No.	Quantity	Fig. N°	PART - NAME	Part. No.	Quantity	Fig. N°	PART - NAME	Part. No.	Quantity
1	Rear mudguard	307105	1	18	Saddle sec. screw	S. 30085	1	38	Transfer (decal.) for upper cover	307323 ★j)	1
2	Screw securing mudguard and licence plate support	S. 31088	6	19	Spring washer	S. 6968	4	38	Transfer (decal.) for upper cover	307131 ●j)	1
3	Spring washer	S. 6966	4	20	Rear mudguard flap	307104	1	38	Transfer (decal.) for upper cover	307322 △j)	1
4	Self locking nut	S. 20106	8	21	Mudguard flap sec. rivet	S. 18020	5	39	Foot - rest	307282	2
5	Silencer (30 mph.)	307092 a)	1	22	Rubber washer	G 26736	4	40	Oil dosage beaker	128860	1
5	Silencer (25 mph.)	307335 a)	1	23	Front mudguard flap	142588	1	41	Rear bracket sec. screw	S. 31116	2
5	Silencer (20 mph.)	307175 a)	1	24	Foot rest sec. spring	353895	1	42	Buffer support saddle	307361	2
6	Strap with fastenings	130969	1	25	Pivot	353894	1	43	Buffer support saddle	307362	2
7	Bolt	S. 31115	1	26	Circlip	S. 5955	2	44	Lock washer	S. 12533	4
8	Plain washer	S. 3058	1	27	Buffer	150566	2				
9	Spring washer	S. 12540	1	28	Licence plate holder	307136	1				
10	Upper protection	306760	1	29	Joint for licence plate holder	G 64134	1				
11	Protection fastener	132872	2	30	Saddle cover	307158	1				
12	Spring for fastener	122957	2	31	Nut sec. licence plate holder	S. 15253	2				
13	Front mudguard	353841	1	32	Mudguard protection	143705	1				
14	Plain washer for securing mudguard to the fork	S. 3056	4	33	Spacer for saddle	307057	2				
15	Foot rest	353891	1	34	Nut sec. saddle	S. 20008	1				
16	Saddle	307157 b)	1	35	Nut sec. rear support	S. 20108	2				
17	Saddle rear bracket	307059	1	36	Passenger foot - rest	307103 c)	1				
				37	Canvas for tools	306731	1				

a) With part Fig.: 6.

b) With parts Fig.: 30 - 37 - 42 - 43.

c) With part Fig.: 39.

*) Fitted on sky-blue frames.

●) Fitted on grey frames.

△) Fitted on red frames.

T. V WHEELS

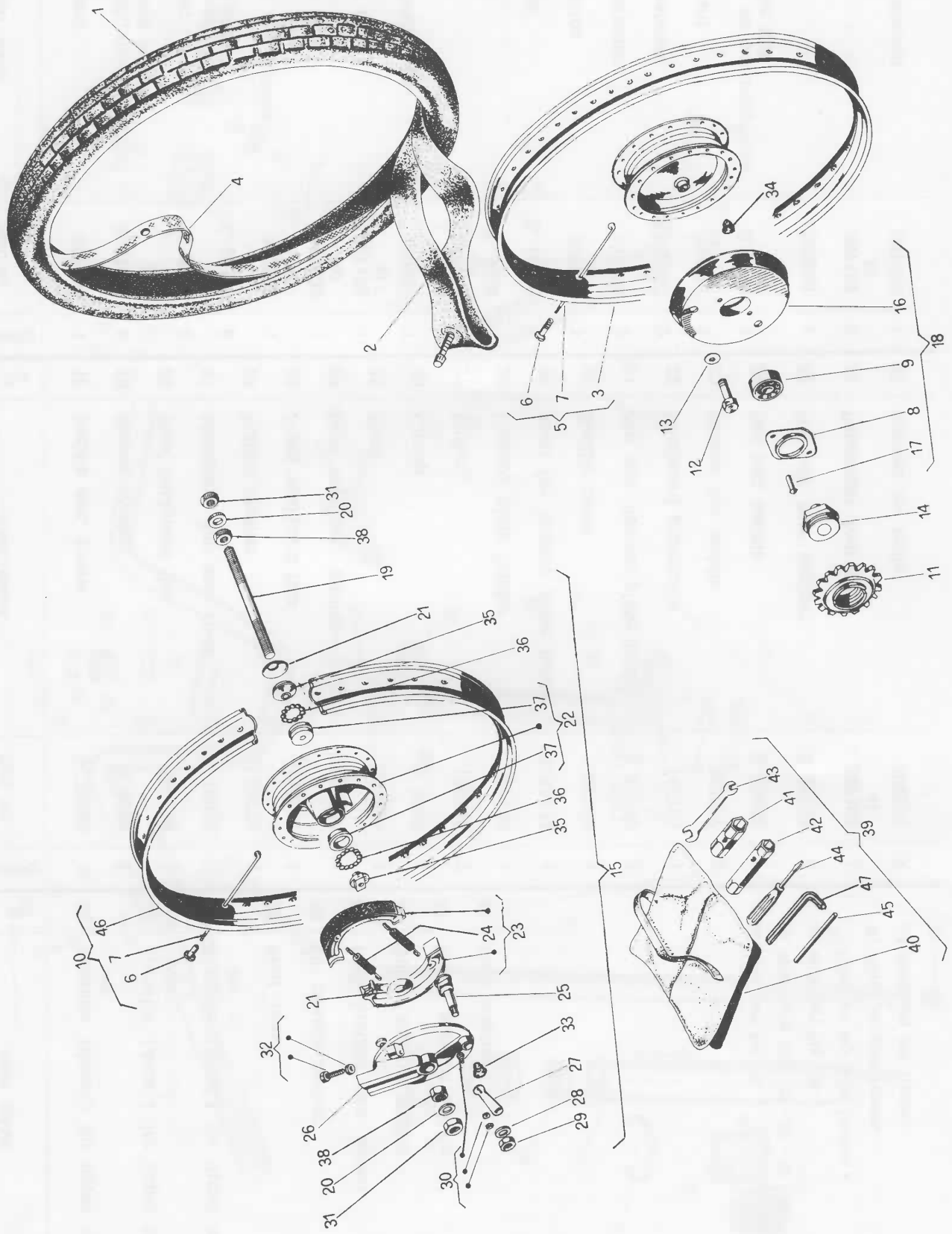


Fig. N.	PART - NAME	Part. No.	Quantity	Fig. N.	PART - NAME	Part. No.	Quantity	Fig. N.	PART - NAME	Part. No.	Quantity
1	2 1/2 x 17" front tyre	307112	1	17	Rivet	2942	2	37	Track	G 69675	2
1	2 3/4 x 16" rear tyre	307111	1	18	Housing, assy.	124963	1	38	Lock nut	G 21104	2
2	Front inner tube	G 48101	1	19	Shaft	G 69668	1	39	Canvas with tool set	307345	1
2	Rear inner tube	306794	1	20	Shaft sec. washer	307341	2	40	Canvas for tool set	G 29913	1
3	Rear wheel rim	159662	1	21	Dust cover	G 69672	2	41	Box wrench 19 - 21	G 68694	1
4	Front wheel tape	G 48102	1	22	Brake drum	G 69666	1	42	Box wrench 17 - 19	G 68695	1
4	Rear wheel tape	306591	1	23	Brake jaws	G 68888	2	43	Double ended wrench 10 - 13	G 7636	1
5	Rear wheel	180801	1	24	Spring	G 70241	2	44	Screwdriver	G 11657	1
6	Spoke nipple	114216	72	25	Cam	G 69680	1	45	Tommy bar	G 21638	1
7	Front wheel spoke	G 68609	36	26	Disc	307340	1	46	Front wheel rim	307108	1
7	Rear wheel spoke	142230	36	27	Brake lever	G 69669	1	47	Key	G 60476	1
8	Dust cover	124226	1	28	Lever sec. washer	S. 13777	1				
9	Ball bearing	113817	1	29	Nut	S. 15253	1				
10	Front wheel	307164	1	30	Clamp	G 68903	1				
11	Free wheel	103631	1	31	Wheel nut	305055	2				
12	Hub sec. bolt	S. 31150	2	32	Setting piece	G 68904	1				
13	Lock washer	S. 16410	2	33	Plug	87975	1				
14	Free wheel bush	131515	1	34	Plug	48531	1				
15	Front wheel hub, assy.	307115	1	35	Cone	G 69671	2				
16	Ball bearing housing	124964	1	36	Ball	G 8066	22				

a) With parts Fig.: 40 - 41 - 42 - 43 - 44 - 45 - 47.

b) With parts Fig.: 3 - 6 - 7 and part. 4 of T. II.

c) With parts Fig.: 6 - 7 - 22 - 46.

d) With parts Fig.: 8 - 9 - 16 - 17.

e) With part Fig.: 37.

f) With parts Fig.: 19 - 20 - 21 - 22 - 23 - 24 - 25 - 26 - 27 - 28 - 29 - 31 - 32 - 33 - 35 - 36 - 37 - 38.

g) With part. Fig.: 24.

I. VI HANDLEBARS AND SUSPENSIONS

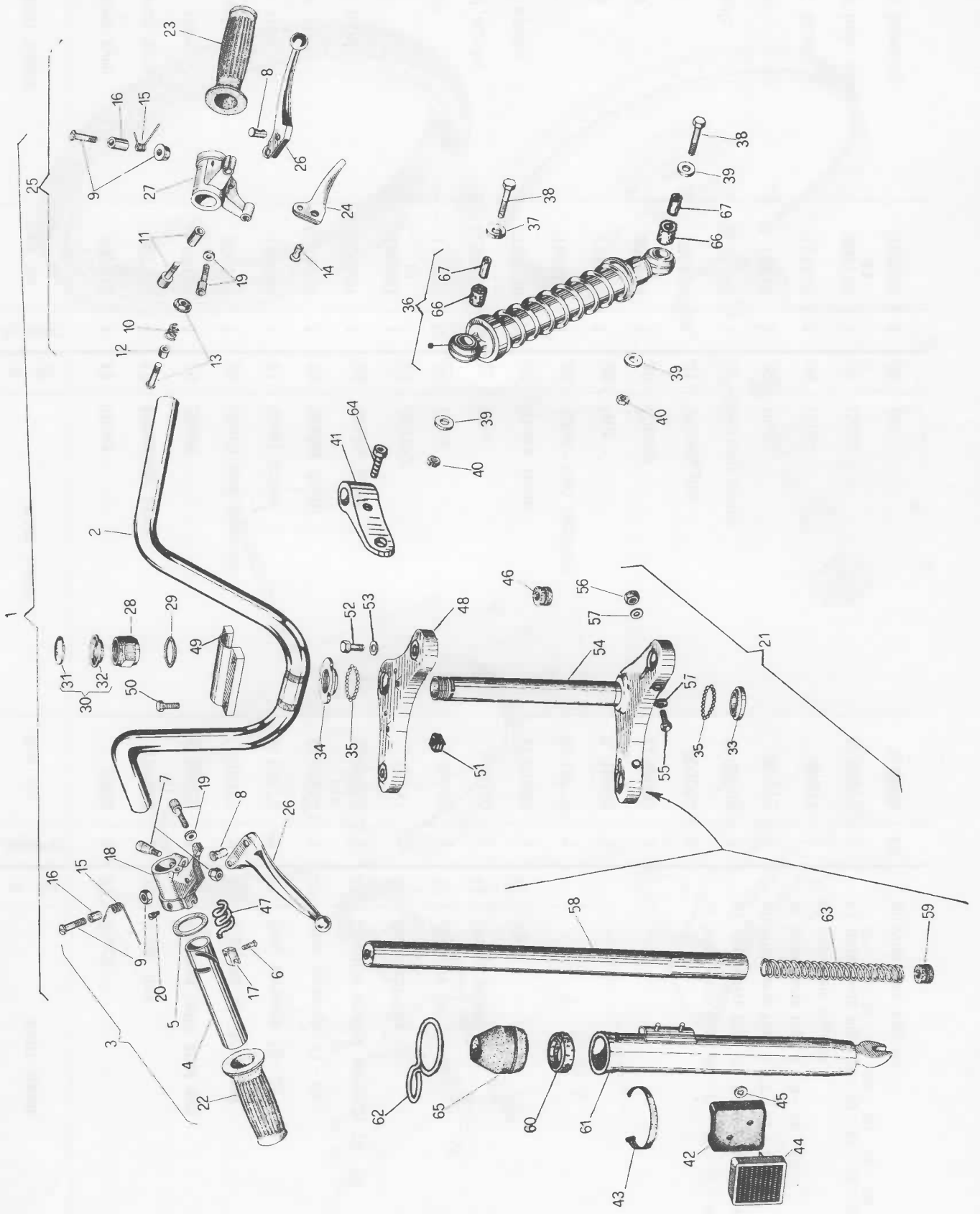


Fig. N	PART - NAME	Part. No.	Quantity	Fig. N	PART - NAME	Part. No.	Quantity	Fig. N	PART - NAME	Part. No.	Quantity
1	Handlebars, assy. (without turn signals)	307150 a)	1	24	Decompression valve control lever	135689	1	48	Steering tube head	305356	1
1	Handlebars, assy. (with turn signals)	307246 a)	1	25	Lever holder for rear brake (without turn signals)	307151 c)	1	49	Bridge sec. handlebars	310356	1
2	Handlebars	306961	1	25	Lever holder for rear brake (with turn signals)	307247 c)	1	50	Bridge sec. screw	G 60473	4
3	Throttle twist, unit (without turn signals)	307152 b)	1	26	Brakes control lever	148680	2	51	Nut for screw	S. 15286	4
3	Throttle twist, unit (with turn signals)	307249 b)	1	27	Brake and decompression valve sleeve	307153	1	52	Screw sec. inner tube	S. 31193	2
4	Throttle sleeve	174993	1	27	Brake and decompression valve sleeve	307248	1	53	Washer for screw	S. 3042	2
5	Washer	123390	1		(without turn signals)			54	Lower plate and head tube	306993	1
6	Screw	123391	2		(with turn signals)			55	Screw	S. 31129	2
7	Screw sec. grip	123394	1	28	Steering sec. nut	G 68856	1	56	Nut	G 22661	2
8	Pivot pin	114282	2	29	Washer for nut	306912	1	57	Washer	S. 3038	4
9	Screw and nut	121780	2	30	Emblem, assy.	307141 d)	1	58	Inner tube	306994	2
10	Return spring for levers	123396	1	31	« Piaggio » emblem	G 68681	1	59	Shock absorber buffer	305360	2
11	Screw bush sec. lever holder	123395	1	32	Emblem holder	G 68679	1	60	Oil seal	116205	2
12	Bush for decompression valve control	123397	1	33	Lower track of steering bearing	G 21315	1	61	Outer tube (R. H.)	306995	1
13	Screw and nut	121781	1	34	Upper track of steering bearing	G 21316	1	61	Outer tube (L. H.)	306996	1
14	Pivot pin	114283	1	35	Ball	G 21317	54	62	Clip with ring	305368	2
15	Lever return spring	159838	2	36	Rear damper, assy.	307149 f)	2	63	Spring	353890	2
16	Bush for brake lever	123388	2	37	Damper sec. plain washer	S. 16626	2	64	Headlamp bracket sec. screw	202245	2
17	Sliding block	123392	1	38	Damper sec. screw	S. 30095	4	65	Dust cover	306997	2
18	Throttle sleeve (without turn signals)	307154	1	39	Spring washer	S. 16627	6	66	Buffer	305082	4
18	Throttle sleeve (with turn signals)	307250	1	40	Nut	S. 20210	4	67	Spacer	306929	4
19	Brake adjusting screw	103964	2	41	Headlamp bracket	307122	2				
20	Screw	123389	1	42	Support	307097	2				
21	Telescopic fork, assy.	353858 e)	1	43	Support sec. strap	307147	2				
22	Grip, R. H.	122184	1	44	Reflector	152897	2				
23	Grip, L. H.	122185	1	45	Cup shaped washer	181351	4				
				46	Grommet	G 22901	2				
				47	Throttle grip return spring	174994	1				

a) With parts Fig.: 2 - 3 - 19 - 25.
b) With parts Fig.: 4 - 5 - 6 - 7 - 8 - 9 - 15 - 16 - 17 - 18 - 20 - 22 - 26 - 47.
c) With parts Fig.: 8 - 9 - 10 - 11 - 12 - 13 - 14 - 15 - 16 - 23 - 24 - 26 - 27.
d) With parts Fig.: 31 - 32.
e) With parts Fig.: 48 - 49 - 50 - 51 - 52 - 53 - 54 - 55 - 56 - 57 - 58 - 59 - 60 - 61 - 62 - 63 - 65.
f) With parts Fig.: 66 - 67.

I. VII ELECTRIC EQUIPMENT AND TRANSMISSIONS

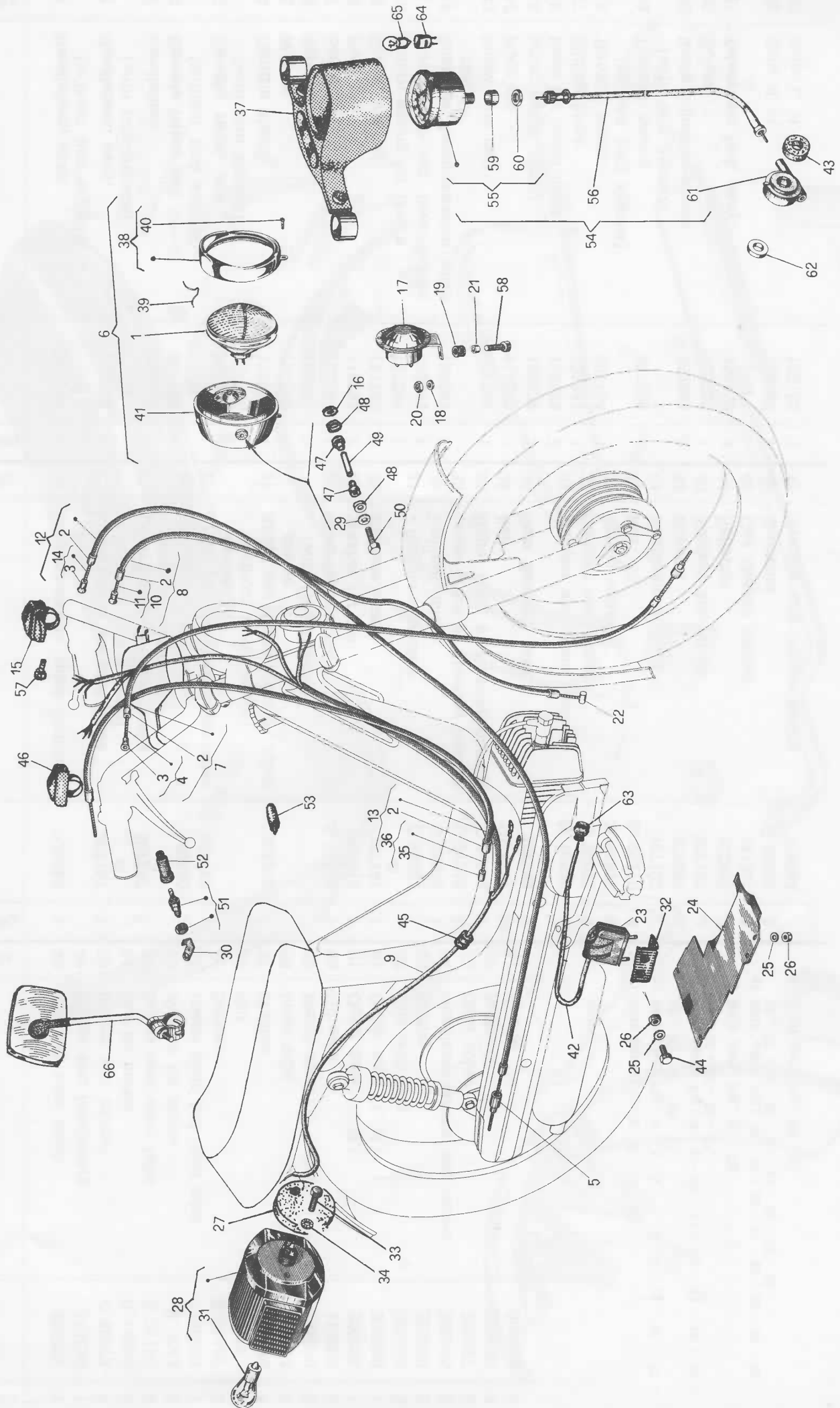


Fig. N°	PART - NAME	Part. No.	Quantity	Fig. N°	PART - NAME	Part. No.	Quantity	Fig. N°	PART - NAME	Part. No.	Quantity
1	Headlamp insert (without turn signals)	307238	1	11	Nipple	104769	1	22	Nipple, valve side	14657	1
2	Sheath protection	2174	8	12	Rear brake cable complete	353863 f j)	1	23	Outer H. T. coil	132299	1
3	Brake cable nipple	2777	2	13	Throttle cable complete	353869 l j)	1	24	Dust cover	353899	1
4	Front brake cable	353861 a)	1	14	Inner rear brake cable	353864 a)	1	25	Lock washer	S. 16405	4
5	Cable guide terminal	90511	1	15	Switch (without turn signals)	307113	1	26	Nut	S. 20105	4
6	Headlamp, assy. (without turn signals)	307110 b)	1	16	Washer sec. headlamps (without turn signals)	307317	4	27	Packing for tail lamp	352857	1
7	Front brake cable complete	353860 c)	1	17	Horn	353886	1	28	Tail lamp, assy.	307162 g)	1
8	Decompressor cable complete	353866 d)	1	18	Washer	200539	1	29	Lock washer sec. headlamp (without turn signals)	S. 12533	2
9	Cable harness (without turn signals)	307161	1	19	Buffer	G 401628	1	30	Plate for stop - switch	126990	2
10	Inner decompressor control cable	353867 e)	1	20	Horn sec. nut	S. 20006	1	31	Bulb	89620	1
				21	Spacer	G 401643	1	32	Plate sec. coils	149275	1

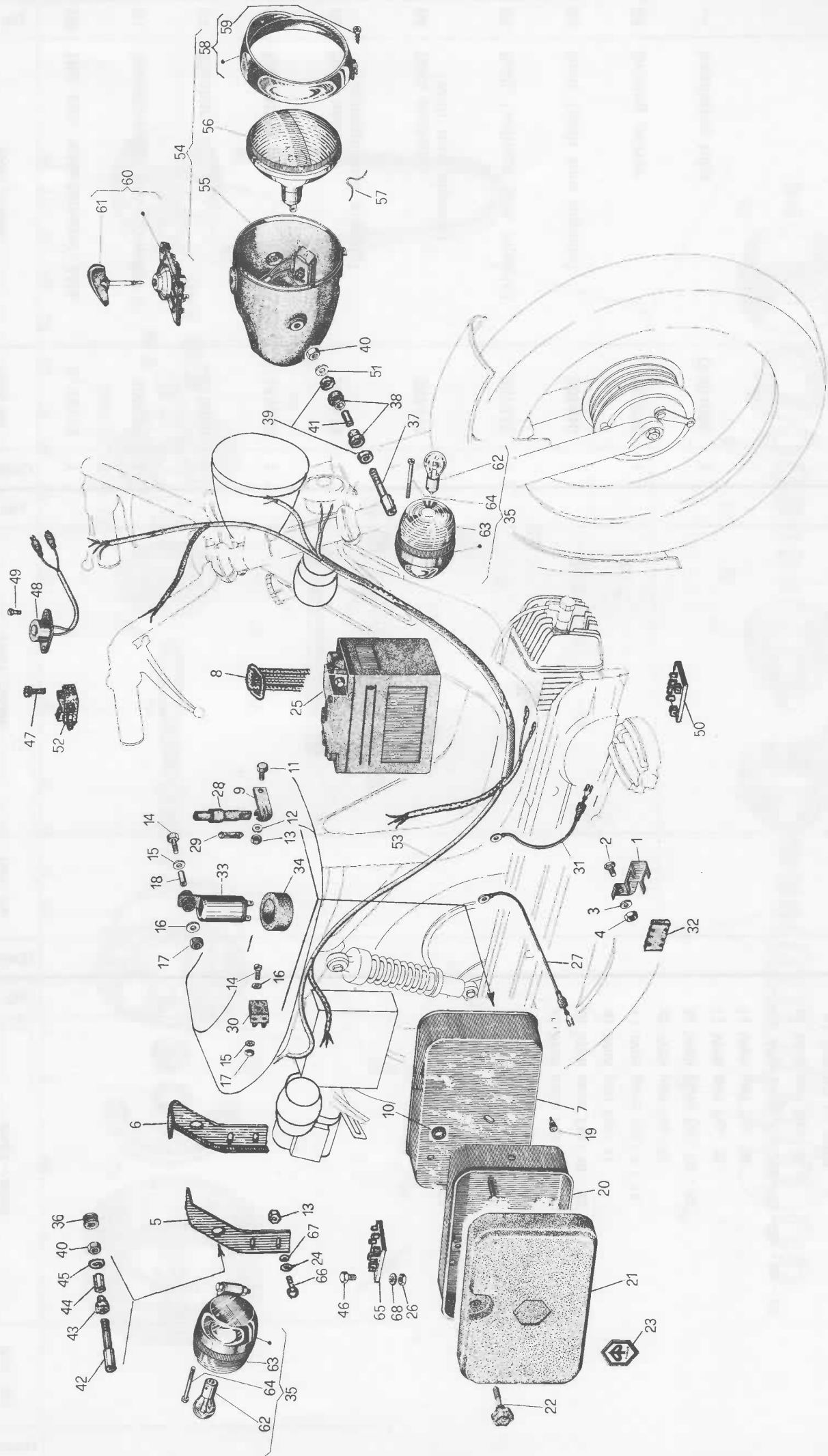
T. VII

Fig. N.	PART - NAME	Part. No.	Quantity	Fig. N.	PART - NAME	Part. No.	Quantity	Fig. N.	PART - NAME	Part. No.	Quantity
33	Tail lamp screw	S. 31088	2	44	Screw sec. coil to plate	S. 31061	2	54	Speedometer, Mls., with transmission (without turn signals)	307167 m)	1
34	Spring washer	200539	2	45	Grommet	G 9315	5	54	Speedometer, Mls., with transmission (with turn signals)	307251 m)	1
35	Nipple, carburettor side	114256	1	46	Engine cut - out (without turn signals)	307114	1	55	Speedometer, Mls. (without turn signals)	307168 h)	1
36	Throttle transmission	353871 i)	1	47	Buffer sec. headlamp (without turn signals)	307316	4	55	Speedometer Mls. (with turn signals)	307252 h)	1
37	Instrument holder plate, assy. (without turn signals)	307169	1	48	Cup sec. headlamp (without turn signals)	G 401638	4	56	Transmission (without turn signals)	307192	1
38	Rim (without turn signals)	307237 n)	1	49	Bush sec. headlamp (without turn signals)	307189	2	56	Transmission (with turn signals)	307253	1
39	Securing spring (without turn signals)	310368	4	50	Screw sec. headlamp (without turn signals)	S. 31091	2	57	Screw sec. switch (without turn signals)	S. 15568	2
40	Screw for ring nut (without turn signals)	310365	1	51	Stop switch	126938	2	58	Screw sec. horn	S. 31088	1
41	Housing (without turn signals)	307239	1	52	Cap	126939	2	59	Spacer	G 68380	1
42	H. T. cable	80341	+	53	Protection sleeve	142802	2				
43	Felt	307258	1								

Fig. N.	PART - NAME	Part. No.	Quantity	Fig. N.	PART - NAME	Part. No.	Quantity	Fig. N.	PART - NAME	Part. No.	Quantity
60	Nut sec. speedometer, Mls.	S. 12113	1								
61	Speedometer drive pinion	306937	1								
62	Washer	G 9998	1								
63	Insulating cap	145088	1								
64	Bulb socket (without turn signals)	307419	1								
64	Bulb socket (with turn signals)	307417	1								
65	Bulb (without turn signals)	307418	1								
65	Bulb (with turn signals)	307416	1								
66	Driving mirror	180673	1								
—	Insulating tube	G 401080	3								

- a) With part Fig.: 3.
- b) With parts Fig.: 1 - 29 - 38 - 39 - 40 - 41 - 50.
- c) With parts Fig.: 4 - 5.
- d) With parts Fig.: 10 - 22.
- e) With part Fig.: 11.
- f) With parts Fig.: 5 - 14.
- g) With part Fig.: 31.
- h) With parts Fig.: 59 - 60.
- i) With part Fig.: 35.
- l) With part Fig.: 36.
- m) With parts Fig.: 55 - 56 - 61 - 64 - 65.
- n) With part Fig.: 40.
- +) Request by yards.

T. VIII BATTERY - TURN SIGNALS



Note: In this table there are carried out only the specific parts for version of moped « Grande » with turn signals.

Fig. N.	PART - NAME	Part. No.	Quantity	Fig. N.	PART - NAME	Part. No.	Quantity	Fig. N.	PART - NAME	Part. No.	Quantity
1	Support sec. terminal board	162946	1	26	Nut	S. 20003	1	51	Washer	307317	4
2	Screw sec. plate	S. 31056	1	27	Battery positive cable	152450	1	52	Turn signal and engine cut out switch	307263	1
3	Spring washer sec. plate	S. 16405	1	28	Fuse holder	142519	1	53	Cables, assy.	307261 d)	1
4	Nut sec. plate	S. 20105	1	29	Fuse	2/24967	1	54	Headlamp, assy.	307262 b)	1
5	Plate, R. H.	307116	1	30	Rectifier	147407	1	55	Headlamp housing, chromium plated	307339	1
6	Plate, L. H.	307117	1	31	Cable	162911	1	56	Headlamp insert	121559	1
7	Battery bracket	307223	1	32	Clamp plate	162910	1	57	Headlamp insert sec. spring	G 22686	9
8	Battery sec. belt	90854	1	33	Thermal cutout	144981	1	58	Rim	121560 e)	1
9	Strap for fuse holder	143253	1	34	Sleeve	72761	1	59	Rim sec. screw	S. 702	1
10	Grommet	10520	1	35	Turn signal	307200 a)	4	60	Key operated switch	162912 c)	1
11	Screw sec. strap and box	S. 31086	1	36	Protection cap	307265	2	61	Key	145498	1
12	Spring washer sec. strap	S. 16406	1	37	Turn signals supporting tube	310211	2	62	Bulb	144632	4
13	Nut	S. 20206	7	38	Buffer	307316	4	63	Glass	155253	4
14	Screw	S. 31033	2	39	Cup	G 401638	2	64	Screw	S. 15819	8
15	Spring washer	S. 16404	2	40	Nut	S. 20108	4	65	Clamp board for cables to turn signals	307365	1
16	Washer	S. 3054	3	41	Bush	310395	2	66	Boxes sec. screw	S. 31087	6
17	Nut	S. 20104	2	42	Turn signals supporting tube	307191	2	67	Plain washer	S. 12533	12
18	Spacer	71703	1	43	Buffer	75931	2	68	Plain washer	S. 30053	1
19	Buffer	G 401629	1	44	Bush	G 401818	2				
20	Storage compartment	307226	1	45	Washer	S. 6032	2				
21	Compartment cover	307229	2	46	Clamp board sec. screw	S. 15623	1				
22	Panel sec. cover	100388	2	47	Screw sec. turn signals	S. 10028	2				
23	« Piaggio » emblem	152290	2	48	Push button for horn	307264	1				
24	Spring washer sec. box	S. 6966	6	49	Screw sec. push button	S. 14555	2				
25	7 Ah Battery	152451	1	50	Clamp board for cables to turn signals	310206	1				

a) With parts Fig.: 62 - 63 - 64.

b) With parts Fig.: 55 - 56 - 57 - 58 - 59.

c) With part Fig.: 61.

d) With parts: drg. No. 307368 earth cable for tail lamp; drg. No. 307369 cable for cabine illumination; drg. No. 307370 cable from tail lamp to the connections.

e) With part Fig.: 59.

INDEX OF PARTS AND GROUPS DELIVERED AS SPARES

Number	Page	Number	Page	Number	Page	Number	Page	Number	Page	Number	Page	Number	Page	Number	Page
267	4-7	G 68856	15	103059	7	113902	3	122185	15	131248	7	142802	18		
397	7	G 68888	13	103060	7	113903	5	122390	3	131331	4	143104	9		
622	3	G 68903	13	103061	7	113906	3	122429	5	131332	4	143253	21		
2174	17	G 68904	13	103062	7	113908	3	122522	9	131502	7	143326	9		
2777	17	G 69666	13	103105	7	113909	3	122523	9	131503	7	143327	9		
2942	13	G 69668	13	103112	7	113910	3	122670	9	131505	7	143705	11		
4282	7	G 69669	13	103133	3	113914	3	122672	9	131509	7	143937	9		
G 7636	13	G 69671	13	103137	3	113915	3	122957	9-11	131511	7	144025	7		
G 8066	13	G 69672	13	103236	7	113916	3	123146	7	131512	7	144028	7		
G 9315	18	G 69675	13	103237	7	113917	3	123177	9	131513	7	144632	21		
G 9998	19	G 69680	13	103241	4	113919	3	123388	15	131514	7	144981	21		
10520	21	G 70241	13	103386	7	113922	3	123389	15	131515	13	145088	19		
G 11657	13	71054	5	103485	3	113923	3	123390	15	131523	7	145298	5		
14501	4	71482	3	103557	9	113926	3	123391	15	131529	7	145498	21		
14657	17	71703	21	103613	7	113927	3	123392	15	132233	4	146659	4		
G 21104	13	72761	21	103614	7	113927	3	123394	15	132299	4	147407	21		
G 21315	15	73943	4	103631	13	114219	9	123395	15	132515	17	147407	21		
G 21316	15	75931	21	103689	7	114256	18	123396	15	132871	4	148125	3		
G 21317	15	80341	18	103823	7	114282	15	123397	15	132872	9	148680	15		
G 21638	13	85291	3	103825	7	114283	15	124037	15	132903	7	149275	4		
G 22661	15	87975	13	103826	7	114482	15	124074	4	132903	7	149275	17		
G 22686	21	89620	17	103964	15	116205	3	124075	7	135689	15	150566	11		
G 22901	15	90506	3	104468	7	118175	9	124226	13	135880	3	152040	3		
G 22937	9	90511	17	104469	7	120073	5	124714	7	135976	9	152096	9		
2/24967	21	90854	21	104559	4	120074	5	124777	4	136090	9	152097	9		
G 26736	11	98128	3	104662	7	120214	7	124781	7	136952	7	152098	9		
G 29913	13	98134	3	104769	17	120215	7	124783	7	137690	4	152099	9		
G 48101	13	98135	3	104862	4	120262	7	124963	13	137693	4	152195	9		
G 48102	13	98136	3	112967	4	120329	9	124964	13	137776	4	152290	21		
48531	13	100388	21	112978	5	120391	3	126938	18	138449	4	152423	7		
G 60473	15	102258	4	113055	3	120397	3	126939	18	139122	7	152450	21		
G 60476	13	102413	7	113242	4	120519	4	126990	17	139169	4	152451	21		
G 64134	11	102414	7	113244	4	120870	3	128860	11	139993	9	152793	4		
G 68380	18	102931	4	113245	4	121022	7	128860	7	139993	7	152897	15		
G 68473	4	102939	3	113246	4	121559	21	130240	7	140968	9	154533	7		
G 68609	13	102941	4	113247	4	121560	21	130579	7	141177	7	155253	21		
G 68679	15	102943	3	113681	4	121780	15	2/130937	7	141737	9	155475	5		
G 68681	15	102989	9	113708	4	121781	11	130969	11	142230	13	155753	5		
G 68694	13	102990	9	113817	4	122181	3	131009	3	142519	21	156913	9		
G 68695	13	103054	7	113901	13	122184	5	131021	7	142561	4	157531	4		
					3		15	131031	7	142588	11	158780	3		

Number	Page	Number	Page	Number	Page	Number	Page	Number	Page	Number	Page	Number	Page	Number	Page
159662	13	306731	11	307142	4	307258	18	353860	17	S. 6057	7	S. 16405	17-21		
159715	4	306760	11	307147	15	307261	21	353861	17	S. 6176	9	S. 16406	21		
159838	15	306794	13	307149	15	307262	21	353863	17	S. 6426	7	S. 16410	7-9-13		
160944	7	306877	3	307150	15	307263	21	353864	17	S. 6612	4	S. 16626	9-15		
162910	21	306903	9	307151	15	307264	21	353866	17	S. 6705	7	S. 16627	15		
162911	21	306904	9	307152	15	307265	21	353867	17	S. 6966	3-7-11-21	S. 16702	7		
162912	21	306912	15	307153	15	307282	11	353869	17	S. 6968	11	S. 17002	7		
162929	4	306922	3	307154	15	307316	18-21	353871	18	S. 6977	3	S. 18020	11		
162930	4	306929	15	307157	11	307317	17-21	353881	3	S. 8265	3	S. 20003	21		
162933	3	306937	19	307158	11	307322	11	353882	3	S. 8455	4	S. 20006	9-17		
162935	3	306961	15	307161	17	307323	11	353883	4	S. 8753	5	S. 20008	9-11		
162937	5	306993	15	307162	17	307325	9	353886	17	S. 8766	7	S. 20104	21		
162946	21	306994	15	307164	13	307326	9	353890	15	S. 8771	7	S. 20105	17-21		
163306	9	306995	15	307167	18	307335	11	353891	11	S. 8808	7	S. 20106	3-11		
166038	4	306996	15	307168	18	307339	21	353894	11	S. 8977	9	S. 20107	3		
166945	4	306997	15	307169	18	307340	13	353895	11	S. 10028	3-21	S. 20108	7-11-21		
174449	4	307057	11	307173	4	307341	13	353899	17	S. 10047	3	S. 20206	21		
174450	4	307059	11	307174	3	307345	13	354045	7	S. 10882	7	S. 20207	7		
174456	7	307092	11	307175	11	307361	11	354244	4	S. 12113	19	S. 20210	15		
174457	4	307097	15	307186	4	307362	11	354245	4	S. 12533	11-17-21	S. 30053	21		
174993	15	307102	9	307187	9	307365	21	G 401080	19	S. 12540	7-11	S. 30055	3		
174994	15	307103	15	307189	18	307368	21	G 401628	17	S. 12554	4-5	S. 30085	11		
180673	19	307104	11	307191	21	307369	21	G 401629	21	S. 12768	4	S. 30095	15		
180801	13	307105	11	307192	18	307416	19	G 401638	18-21	S. 13777	13	S. 30113	9		
180823	3	307110	13	307196	4	307417	19	G 401643	17	S. 13877	7	S. 30280	7		
181351	15	307111	17	307200	21	307418	19	G 401818	21	S. 13963	4	S. 31033	21		
182591	4	307111	13	307223	21	307419	19	S. 595	4	S. 14555	21	S. 31056	21		
182592	4	307112	13	307226	21	310206	21	S. 702	21	S. 15005	3	S. 31061	18		
182593	4	307113	17	307229	21	310211	21	S. 838	4	S. 15008	5	S. 31086	21		
202245	15	307114	18	307237	18	310356	15	S. 1565	3	S. 15252	9	S. 31087	21		
200539	17-18	307115	13	307238	17	310365	18	S. 3038	15	S. 15253	11-13	S. 31088	11-18		
306073	9	307116	21	307239	18	310368	18	S. 3042	15	S. 15286	15	S. 31091	7-18		
306074	9	307117	21	307246	15	310395	21	S. 3054	4-21	S. 15525	7	S. 31092	9		
305055	13	307122	15	307247	15	352857	17	S. 3056	11	S. 15544	5	S. 31115	11		
305082	15	307129	9	307248	15	353829	9	S. 3057	3-7-9	S. 15568	18	S. 31116	11		
305356	15	307131	11	307249	15	353841	11	S. 3058	9-11	S. 15585	4	S. 31129	15		
305360	15	307136	11	307250	15	353853	9	S. 5955	9-11	S. 15612	3	S. 31150	7-13		
305368	15	307137	9	307251	18	353854	9	S. 5962	3	S. 15623	21	S. 31193	15		
306591	13	307140	9	307252	18	353855	9	S. 5965	7	S. 15819	21				
306654	9	307141	15	307253	18	353858	15	S. 6032	21	S. 16404	3-21				

grande
CATALOG OF SPARE PARTS
AMENDMENT

1

The information included herewith represents necessary information specific for Grande Mopeds equipped with Mag — Style Wheels in addition to general part information for all Grande Mopeds.

Transfer this information or insert these sheets in the spare parts catalog for easy reference.



NOTES - APPLICATIONS

DESCRIPTION

(MPH)

20 25 30

FIG.

PART #

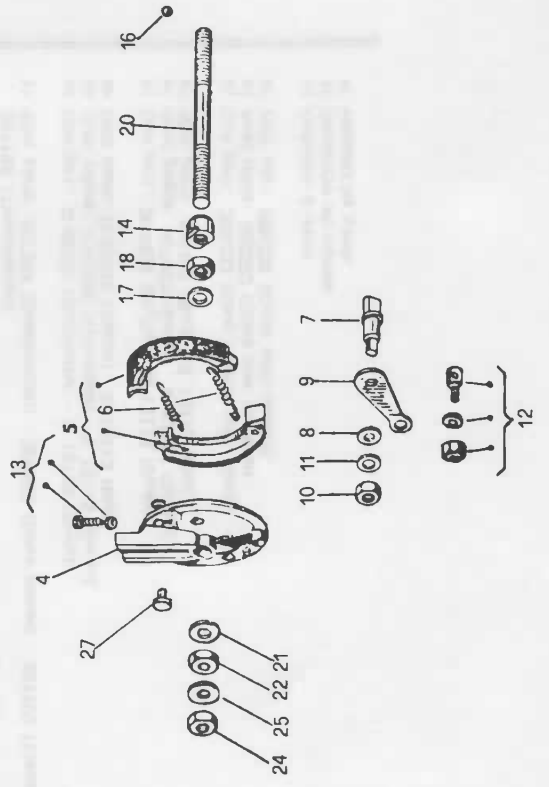
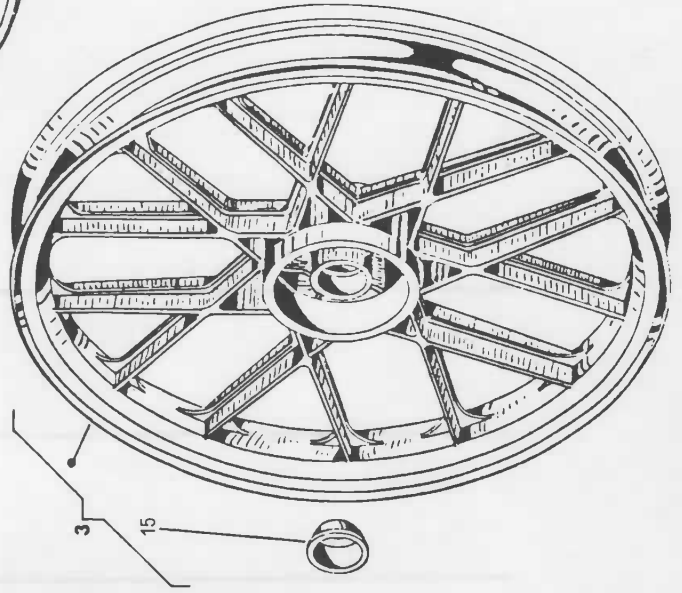
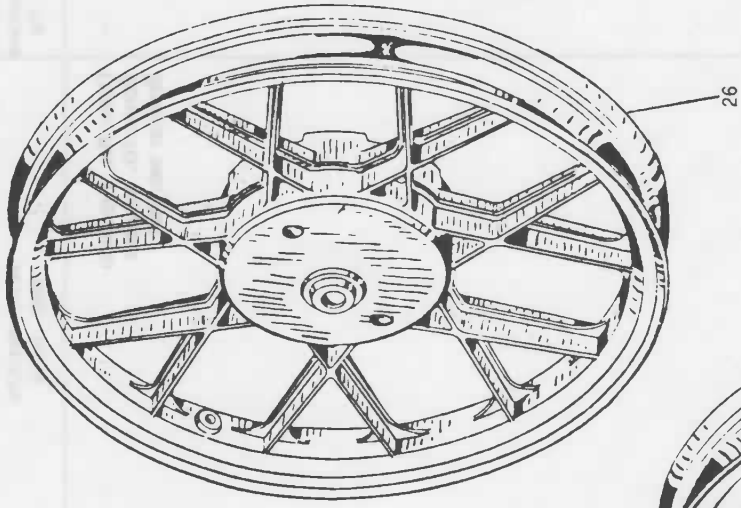
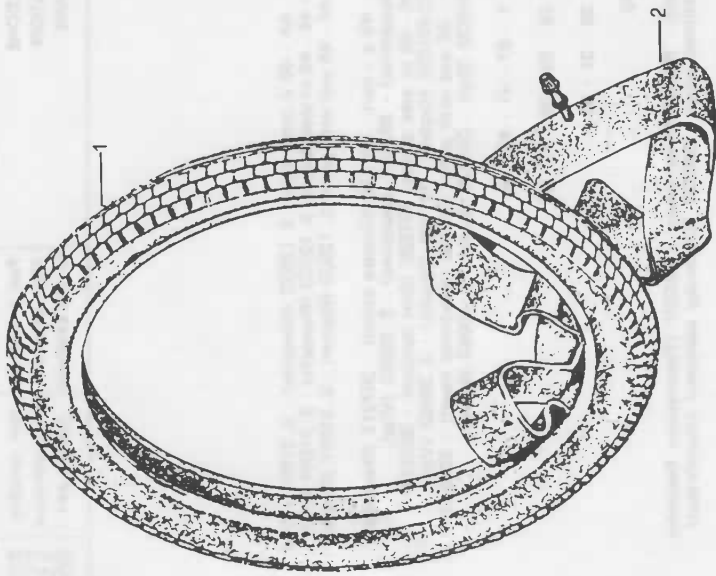
T.V

FIG.	T.V	PART #	DESCRIPTION	(MPH)	20	25	30	NOTES - APPLICATIONS	
1		307112	Front Tire 2.50 x 17"		1	1	1	} Vehicle Production with Mag-Style Wheels	
1		307111	Rear Tire 2.75 x 16"		1	1	1		
2		A71350	Front Tube		1	1	1		
2		A70014	Rear Tube		1	1	1		
3		307183	Front Wheel		1	1	1		Includes part 15
4		307756	Dust Plate		1	1	1		
5		G68888	Brake Jaw Pair		1	1	1		Includes part 6
6		G70241	Spring		2	2	2		
7		G68890	Brake Show Pivot		1	1	1		
8		G68891	Washer		1	1	1		
9		G69669	Activating Lever		1	1	1		
10		S020006	Nut		1	1	1		
11		S013777	Washer		1	1	1		
12		G68903	Cable Bracket		1	1	1		
13		G68904	Adjusting Screw		1	1	1		
14		G69671	Cone		2	2	2		
15		G69675	Bearing Track		2	2	2		
16		002139	Ball Bearing		2	2	2		
17		S016639	Washer		1	1	1		
18		S015260	Nut		2	2	2		
19		G68898	Shoulder Washer		2	2	2	Remove when mounting speedo drive	
20		307314	Axle		1	1	1	} Vehicle Production with Mag-Style Wheels	
21		307299	Spacer		1	1	1		
22		307448	Nut		2	2	2	Remove when mounting speedo drive	
23		307299	Spacer		1	1	1		
24		305055	Nut		2	2	2		
25		307341	Washer		2	2	2		
26		307710	Rear Wheel		1	1	1		
27		307757	Front Brake Inspection Plug		2	2	2		
28		048531	Rear Brake Inspection Plug		2	2	2		

NOTES - APPLICATIONS

TABLE	FIG.	PART #	DESCRIPTION	(MPH)	20	25	30	NOTES - APPLICATIONS
T.I	54	307453	L.T. Cable	1	1	1	1	Fitted on all vehicles with frame #'s after 048-10701
	92	182927	Cylinder/Piston Assembly	1	1	1	1	Fits all vehicles. Piston & cylinder marked "U.S.A."
	92	190726	Cylinder/Piston Assembly	1	1	1	1	Fits all vehicles-incorporates piston with "L" shape dyke rings.
	93	182519	"L" Shape Dyke Ring(normal)	1	1	1	1	Fits all vehicles with piston/cylinder assembly #190726.
		182518	Piston Ring (normal)	1	1	1	1	
	94	191034	Piston/Wrist Pin Assembly	1	1	1	1	Fitted on all vehicles.
	N.I.	120070	Small End Bush	1	1	1	1	
T.III	8	307725	Swing Structure	1	1	1	1	Mixed Assembly-fitted on 048 super-deluxe models.
T.IV	N.I.	056729	Saddle Pin	1	1	1	1	Fitted on all vehicles.
T.VII	50	S030052	Headlamp Securing Screw	2	2	2	2	Fitted on 048 deluxe model.
	61	307300	Speedometer Drive	1	1	1	1	Fitted on 048 super deluxe model.
	N.I.	307577	Inner Speedo Cable	1	1	1	1	Fitted on 048 deluxe model.
	N.I.	306092	Inner Speedo Cable	1	1	1	1	Fitted on 048 super deluxe model.
T.VIII	19	307456	Buffer	7	7	7	7	Fitted on all vehicles with frame number's after 048-008683.
	37	307434	Front Turn-Signal Tube	2	2	2	2	Fits all 048 super deluxe models.
	42	307435	Rear Turn-Signal Tube	2	2	2	2	
	N.I.	307433	Turn-Signal Tube Bushing	4	4	4	4	Order together with P/N's 307434 and/or 307435.
	N.I.	307457	Battery Buffer	1	1	1	1	Fitted on 048 super deluxe models with frame number's after 048-008683.
	N.I.	307440	Battery Box Sec. Spacer	1	1	1	1	
	N.I.	S031091	Battery Box Sec. Screw	1	1	1	1	
	N.I.	075930	Harness Protection Grommet	3	3	3	3	Mixed assembly - fits all vehicles.

T.V. WHEELS - MAG STYLE



grande

CATALOG OF SPARE PARTS AMENDMENT

#2

THE INFORMATION INCLUDED HERewith REPRESENTS NECESSARY INFORMATION SPECIFIC FOR GRANDE MOPEDS EQUIPPED WITH "AUTOMATIC OIL INJECTION". THESE MODELS ARE CALLED GRANDE SUPER DELUXE MX WITH FRAME PREFIX DESIGNATIONS OF 068.

TRANSFER THIS INFORMATION OR INSERT THESE SHEETS IN THE SPARE PARTS CATALOG FOR EASY REFERENCE.

T.I Engine

FIG #	PART #	Description	20	25	30	mph	NOTES - APPLICATIONS
1	306922	Air Cleaner Assy.	1	1	1	1	Turn-Signal Models Only
	186886	Air Cleaner Assy.	1	1	1	1	Non-Turn-Signal Models Only
11	185047	Ignition Feed Coil	1	1	1	1	Non-Turn-Signal Models Only
	120391	Ignition Feed Coil	1	1	1	1	Turn-Signal Models Only
54	308463	Low Tension Cable	1	1	1	1	Non-Turn-Signal Models Only
55	162935	Condenser	1	1	1	1	Non-Turn-Signal Models Only
79	5/308449	Engine Assy.	1	1	1	1	Non-Turn-Signal Models Only
	5/308447	Engine Assy.	1	1	1	1	Turn-Signal Models Only
	307842	Engine Assy.	1	1	1	1	Turn-Signal Models Only
	5/308448	Engine Assy.	1	1	1	1	Turn-Signal Models Only
92	190726	Piston Cylinder Assy.	1	1	1	1	
93	182518	Lower Piston Ring	1	1	1	1	Includes Parts 93
	182519	Upper Piston Ring	1	1	1	1	
94	191034	Piston-Pin Assy.	1	1	1	1	
100	134497	Crankshaft	1	1	1	1	
103	5/308460	Crankcase Assy	1	1	1	1	Non-Turn Signal Models Only
	308435	Crankcase Assy	1	1	1	1	Turn-Signal Models Only
105	185048	Battery Charge Coil	1	1	1	1	Includes Part #47 and Cable 185051
109	029465	Spark Plug Cap	1	1	1	1	
117	071054	Terminal	-	-	-	-	Not Fitted
118	S.015008	Terminal	-	-	-	-	Not Fitted
119	168048	Oil Injection Pump	1	1	1	1	Includes Parts 120 thru 131
120	168037	Plate	1	1	1	1	
121	168036	Gasket	1	1	1	1	
122	134485	Spring	1	1	1	1	
123	G.400282	Washer	1	1	1	1	
124	S.000702	Screw	2	2	2	2	
125	S.016405	Washer	2	2	2	2	
126	168043	Mixer Drive Gear	1	1	1	1	
127	134490	Washer-Spacer	1	1	1	1	
128	168041	Oil Intake Junction	1	1	1	1	
129	168042	Gasket	1	1	1	1	
130	S.014555	Screw	2	2	2	2	
131	S.016404	Washer	2	2	2	2	
132	168039	Gasket	1	1	1	1	
-	S.031091	Bolt	2	2	2	2	Not Pictured
-	S.016406	Washer/Spacer	2	2	2	2	Not Pictured
-	185051	Cable Harness	1	1	1	1	Not Pictured
-	120070	Small End Bushing	1	1	1	1	Not Pictured

FIG #	PART #	DESCRIPTION	20	25	30	MPH	NOTES - APPLICATIONS
-------	--------	-------------	----	----	----	-----	----------------------

T. II Rear Hub Assy.

19	175741	Hub Half	1	1	1	1	
21	176409	Pinion Shaft	1	1	1	1	
22	176447	Pinion Shaft	1	1	1	1	
	175749	Gear	1	1	1	1	
	176448	Gear	1	1	1	1	
23	175750	Intermediate Gear	1	1	1	1	
	176611	Intermediate Gear	1	1	1	1	
24	175739	Hub Housing Half	1	1	1	1	
25	190312	Clutch Drum	1	1	1	1	
34	190315	Clutch Shoe Anchor Plate	1	1	1	1	
47	130240	Brake Shoe	1	1	1	1	
	180210	Brake Shoe	1	1	1	1	
52	175747	Shoulder Washer	1	1	1	1	
57	103018	Cap	1	1	1	1	
61	S.006976	Spring Washer	1	1	1	1	
73	176388	Rear Hub Assy.	1	1	1	1	
-	175751	Hub Retaining Washer	5	5	5	5	Includes Parts 2,7,13,15,16,19 20,21,22,23,24,47,48,52,55,57,58, 61,62,65,66,67,68,74 and Part Marked with *. *Not Pictured.

T. III Frame

1	307800	Main Frame Member	1	1	1	1	
3	307822	Security Lock Assy.	1	1	1	1	
8	308467	Swing Structure	1	1	1	1	
	308450	Swing Structure	1	1	1	1	
25	307140	Fuel Cock Assy.	1	1	1	1	Non-Turn-Signal Models Only Turn-Signal Models Only Includes Parts 32,44,45 and Those Indicated with **.
34	S.003056	Washer	2	2	2	2	Not Fitted
39	308433	Gas Cap	1	1	1	1	** Not Pictured
41	123177	Packing	-	-	-	-	** Not Pictured
-	S.003208	Cotter Pin	1	1	1	1	Not Pictured
-	354177	Fuel Tap Knob	1	1	1	1	Not Pictured
-	307952	Oil Tank	1	1	1	1	Not Pictured
-	S.008455	Oil Tank Sec. Screw	2	2	2	2	Not Pictured
-	S.013763	Washer	2	2	2	2	Not Pictured
-	S.008080	Oil Tank Sec. Plate	2	2	2	2	Not Pictured

FIG #	PART #	DESCRIPTION	20	25	30	MPH	NOTES - APPLICATIONS
-------	--------	-------------	----	----	----	-----	----------------------

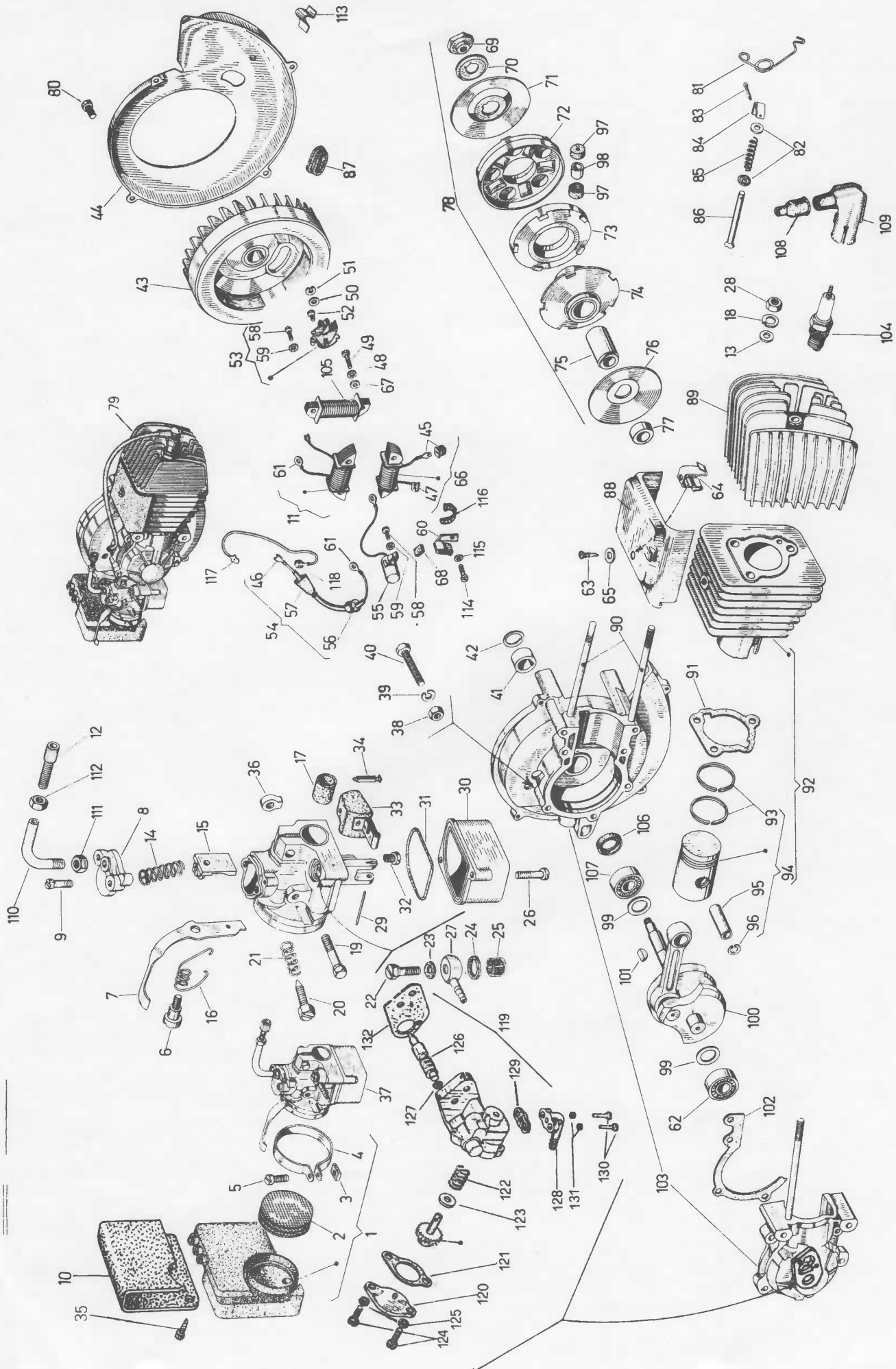
-	308431	Filler Cap	1	1	1	1	Includes 141928 Gasket Not Pictured
-	141928	Oil Tank Gasket	1	1	1	1	Not Pictured
-	307953	Oil Tank Connection	1	1	1	1	Not Pictured
-	185217	Oil Filter	1	1	1	1	Not Pictured
-	129475	Gasket	1	1	1	1	Not Pictured
-	185223	Clip	1	1	1	1	Not Pictured
-	156022	Oil Line Sec. Strap	2	2	2	2	Not Pictured

T.IV Silencer, Mudguards and Saddle

1	307084	Rear Mudguard	1	1	1	1	Non Turn-Signal Models Only
	307838	Rear Mudguard	1	1	1	1	Turn-Signal Models Only
2	S.031086	Bolt	1	1	1	1	Turn-Signal Models Only
3	G.62512	Spring Washer	4	4	4	4	Turn-Signal Models Only
5	308608	Muffler				1	
	308618	Muffler				1	
	308614	Muffler				1	
16	307955	Seat Assembly	1	1	1	1	Includes Parts 30, 42, 43
17	307788	Rear Saddle Bracket	1	1	1	1	Turn-Signal Models Only
18	S.030086	Saddle Sec. Screw	1	1	1	1	Non-Turn-Signal Models Only
28	307878	Black Tail Lamp Bracket	1	1	1	1	
31	S.020006	Nut	2	2	2	2	
37	307566	Tool Canvas	1	1	1	1	Not Fitted
40	128860	Oil Dosage Beaker	-	-	-	-	Turn-Signal Models Only
44	S.003056	Washer	2	2	2	2	
	307456	Buffer	4	4	4	4	
	016516	Grommet	1	1	1	1	Turn-Signal Models Only
	S.003056	Washer	1	1	1	1	Turn-Signal Models Only
	S.016406	Washer	1	1	1	1	Turn-Signal Models Only
	S.020106	Nut	1	1	1	1	Turn-Signal Models Only
	S.003056	Washer	1	1	1	1	Turn-Signal Models Only
	S.016406	Washer	1	1	1	1	Turn-Signal Models Only
	S.020106	Nut	1	1	1	1	Turn-Signal Models Only

Hardware for
tail lamp to
rear fender
mounting.

T. I ENGINE



TV. I Mag Wheels

FIG #	PART #	DESCRIPTION	20	25	30	MPH	NOTES - APPLICATIONS
1	A75048	Front Wheel	1	1	1		Includes Part 5
2	307756	Dust Cover	1	1	1		
3	307757	Inspection Plug	2	2	2		
4	G.68888	Brake Jaw Pair	1	1	1		
5	G.70241	Spring	2	2	2		
6	G.68890	Brake Shoe Pivot	1	1	1		
7	G.68891	Washer	1	1	1		
8	G.69669	Activator Lever	1	1	1		
9	S.020006	Nut	1	1	1		
10	S.013777	Washer	1	1	1		
11	G.69671	Cone	2	2	2		
12	G.69675	Bearing Track	2	2	2		
13	002139	Ball Bearing	2	2	2		
14	319064	Washer	22	22	22		
15	S.015260	Nut	1	1	1		
16	S.013869	Washer	2	2	2		
17	307314	Axle Shaft	2	2	2		
18	307299	Spacer	1	1	1		
19	307448	Nut	1	1	1		
20	A76048	Rear Wheel	2	2	2		
21	A70153	2.50 x 17 Front Tire	1	1	1		
	A70152	2.75 x 16 Rear Tire	1	1	1		
22	A71350	Front Tube	1	1	1		
	A70014	Rear Tube	1	1	1		
23	307341	Washer	2	2	2		
24	305055	Nut	2	2	2		

Remove When Mounting Speedo Drive

T. V/1 MAG WHEELS

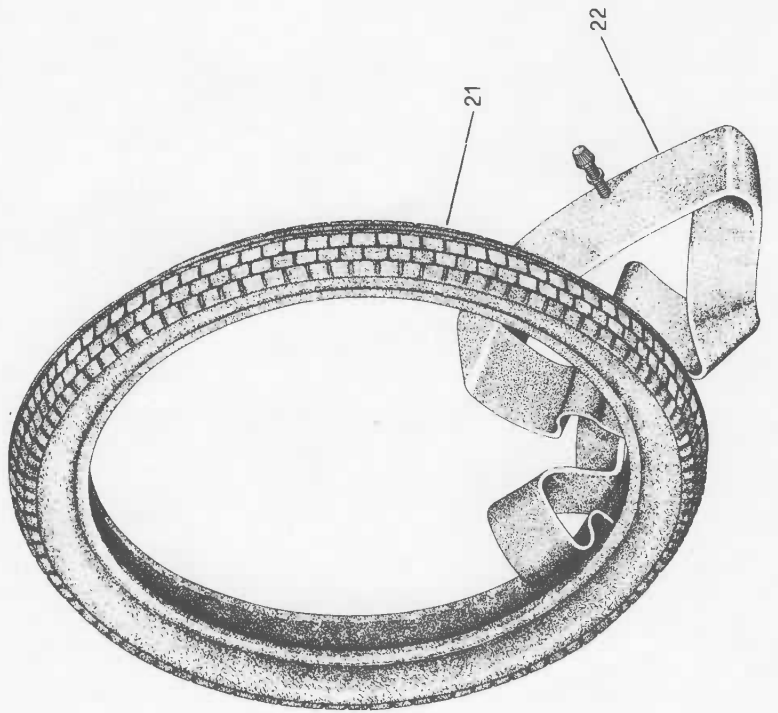
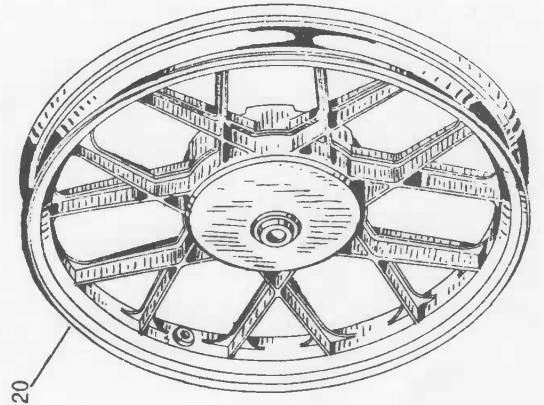
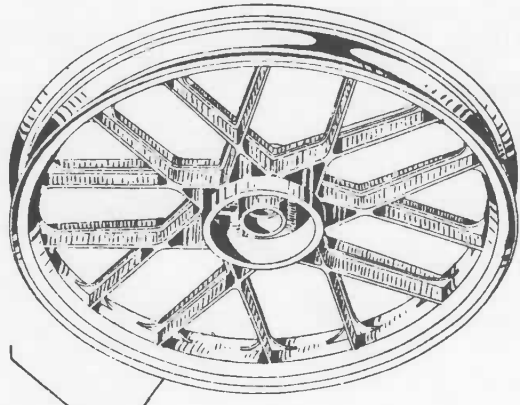
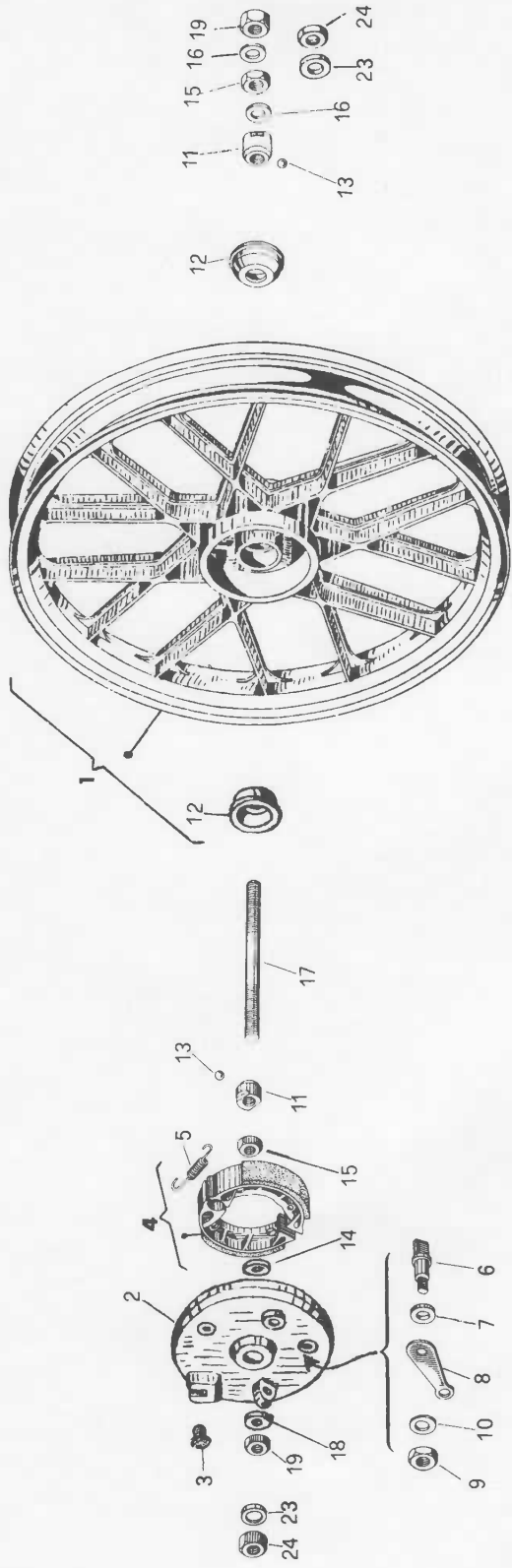


FIG #	PART #	DESCRIPTION	20	25	30	MPH	NOTES - APPLICATIONS
-------	--------	-------------	----	----	----	-----	----------------------

T.VI Handlebars and Suspensions

10	182904	Spring	1	1	1	1	
37	S.016629	Washer	2	2	2	2	
41	308541	Headlamp Bracket-L.H.	1	1	1	1	Non-Turn-Signal Models Only
	308542	Headlamp Bracket-R.H.	1	1	1	1	
	307830	Headlamp Bracket-L.H.	1	1	1	1	Non-Turn-Signal Models Only
	307834	Headlamp Bracket-R.H.	1	1	1	1	
51	070147	Nut	4	4	4	4	
52	319051	Screw	2	2	2	2	
64	202245	Screw	-	-	-	-	Non Fitted
-	307905	Turn-Signal Post Packing	4	4	4	4	Not Pictured

T.VII Electric Equipment and Transmissions

6	307868	Headlamp Assembly	1	1	1	1	Includes Parts 1, 38, 40, 41 Non-Turn-Signal Models Only
17	307540	Horn	1	1	1	1	
25	S.016405	Lock Washer	2	2	2	2	
26	S.020105	Nut	2	2	2	2	
27	352857	Packing	1	1	1	1	Non-Turn-Signal Models Only
28	142805	Tail Lamp Assembly	1	1	1	1	Non-Turn-Signal Models Only
	307877	Tail Lamp Assembly	1	1	1	1	Turn-Signal Models Only
30	126990	Plate	2	2	2	2	
32	149275	Basket	-	-	-	-	Not Fitted
34	S.012533	Washer	2	2	2	2	
37	308537	Speedo Holder	1	1	1	1	Includes Parts 307519 (plate), S.020105 (nut) and 315092 (screw) Turn-Signal Models Only.
39	310368	Spring	-	-	-	-	Not Fitted
40	S.010018	Screw	1	1	1	1	Non-Turn-Signal Models Only
41	307869	Headlamp Housing	1	1	1	1	Non-Turn-Signal Models Only
50	S.030052	Bolt	2	2	2	2	Non-Turn-Signal Models Only
51	126899	Stop Switch	2	2	2	2	Turn-Signal Models Only
52	126939	Protection Cap	2	2	2	2	
54	307167	DNS Order Parts	1	1	1	1	Includes Parts 55, 56, 61, 64, 65 Turn-Signal Models Only
55	307168	Speedometer	1	1	1	1	Includes Parts 60, 64, 65, and Bracket 307432
56	307192	Speedometer Cable	1	1	1	1	Includes Inner Cable 306092
57	S.010028	Screw	2	2	2	2	Non-Turn-Signal Models Only

FIG #	PART #	DESCRIPTION	20	25	30	MPH	NOTES - APPLICATIONS
64	307419	Bulb Socket	1	1	1	1	Turn-Signal Models Only
65	307418	Bulb	1	1	1	1	Turn-Signal Models Only
-	306107	Grommet	1	1	1	1	Not Pictured
-	307166	Cable Ret. Clip	2	2	2	2	Not Pictured
-	307432	Speedometer Bracket	1	1	1	1	Not Pictured
-	306092	Inner Speedometer Cable	1	1	1	1	Not Pictured
-	307519	Speedo Bracket Clip	2	2	2	2	Not Pictured
-	S.020105	Speedo Bracket Nut	2	2	2	2	Not Pictured
-	315092	Speedo Bracket Screw	2	2	2	2	Not Pictured
-	A11014	Lamp	1	1	1	1	Turn-Signal Models Only-Not Pictured
-	A11014	Lamp	1	1	1	1	Turn-Signal Models Only-Not Pictured
-	307875	Tail Lamp Back Plate	1	1	1	1	Turn-Signal Models Only-Not Pictured
-	319046	Sec. Screws	2	2	2	2	Turn-Signal Models Only-Not Pictured
-	S.008423	High Tension Sec. Screw	2	2	2	2	Not Pictured
-	S.008112	High Tension Sec. Clip	2	2	2	2	Not Pictured
-	S.012532	High Tension Sec. Washer	2	2	2	2	Not Pictured
T.VIII Battery - Turn Signals							
16	S.013963	Washer	1	1	1	1	Not Fitted
19	307456	Buffer	7	7	7	7	Not Fitted
24	S.006966	Washer	-	-	-	-	Includes Parts 36, 62, 63, 64, and 026929 (lamp socket)
26	S.020003	Nut	-	-	-	-	Not Fitted
35	307780	Turn-Signal Assembly	4	4	4	4	Not Fitted
37	310211	Turn-Signal Sup. Tube	-	-	-	-	Not Fitted
38-	307316	Buffer	-	-	-	-	Not Fitted
39	G.401638	Cup	-	-	-	-	Not Fitted
40	S.020108	Nut	-	-	-	-	Not Fitted
41	310395	Bush	-	-	-	-	Not Fitted
42	307798	Turn-Signal Sup. Tube	1	1	1	1	Not Fitted
43	075931	Buffer	-	-	-	-	Not Fitted
44	G.401818	Bush	-	-	-	-	Not Fitted
45	S.006032	Washer	-	-	-	-	Not Fitted
46	S.015623	Screw	-	-	-	-	Not Fitted
47	S.015826	Screw	2	2	2	2	Not Fitted
48	307297	Horn Push Button	1	1	1	1	Not Fitted
49	S.010028	Screw	2	2	2	2	Not Fitted
50	310206	Clamp Board	-	-	-	-	Not Fitted
51	S.003056	Washer	4	4	4	4	Not Fitted
53	307777	Cable Harness	1	1	1	1	Includes Parts 55, 56, 58
54	307868	Headlamp Assembly	1	1	1	1	Order Key Blank #305582

FIG #	PART #	DESCRIPTION	20	25	30	MPH	NOTES - APPLICATIONS
55	307869	Chrome Headlamp Housing	1	1	1	1	
56	A10004	Sealbeam	1	1	1	1	
57	121562	Spring	-	-	-	-	Not Fitted
58	307237	Rim	1	1	1	1	
59	S.010018	Screw	1	1	1	1	
60	307872	Switch	1	1	1	1	
65	307365	Clampboard	1	1	1	1	
66	S.031087	Screw	-	-	-	-	Not Fitted
67	S.012533	Washer	-	-	-	-	Not Fitted
68	S.030053	Washer	-	-	-	-	Not Fitted
-	075930	Cable Grommet Guide	1	1	1	1	Not Pictured
-	315355	Grommet	2	2	2	2	Not Pictured
-	307457	Battery Buffer	1	1	1	1	Not Pictured
-	307776	Rear Tail Lamp Harness	1	1	1	1	Not Pictured
-	307874	Switch Prot. Cover	1	1	1	1	Not Pictured
-	307166	Cable Retaining Grommet	1	1	1	1	Not Pictured
-	026929	Turn-Signal Lamp Socket	9	9	9	9	Not Pictured Turn-Signal Models Only
-	307368	Tail Lamp Ground	4	4	4	4	Not Pictured
-			1	1	1	1	Not Pictured



vespa of america corporation

SRV/48/80

PRINTED IN U S A