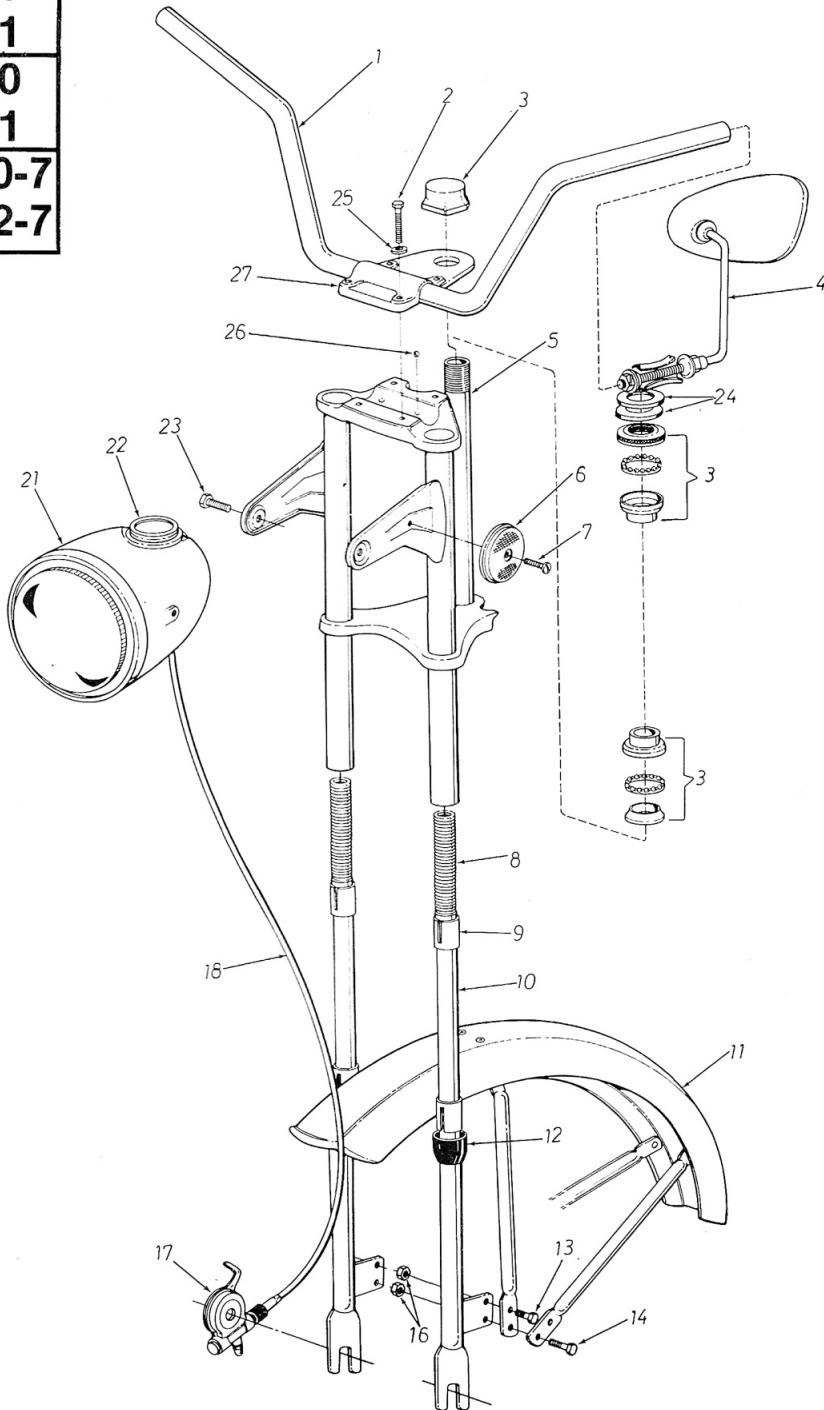


2220
2221
8220
8221
36900-7
36902-7



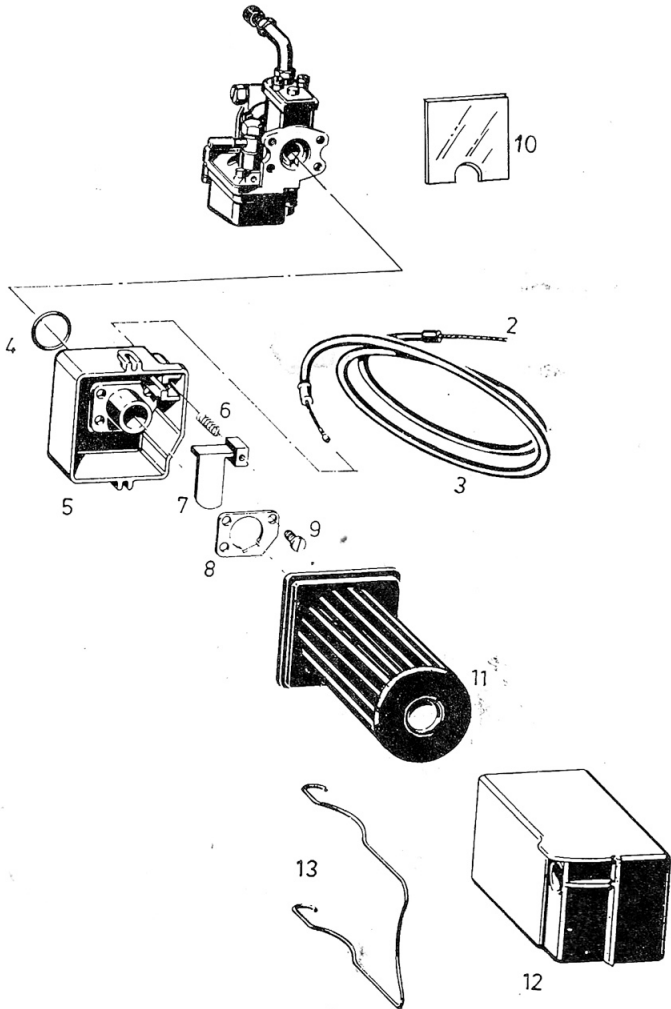
FORK AND HANDLE BAR

**PARTS LIST FOR MOPED MODEL NO. 2220, 2221, 8220, 8221, 36900-7 AND 36902-7**

REF. NO.	PART NO.	COLOR CODE	DESCRIPTION	NEW PART	REF. NO.	PART NO.	COLOR CODE	DESCRIPTION	NEW PART
1	757-0280		Seat Comp.	N	32	710-0597		Hex Scr. 1/4-20 x 1.00" Lg.*	
2	06849		Cover—L.H.	N	33	712-0267		Hex Nut 5/16-18 Thd.*	
3	710-0289		Hex Scr. 1/4-20 x .50" Lg.*		34	736-0119		L-Wash. 5/16" Scr.*	
4	06840		Carrier	N	35	738-0138		Shld. Scr. .437 Dia. x .470	
5	710-0593		Hex Scr. 5/16-24 x 2.25" Lg.		36	738-0378		Shld. Spacer .437 Dia. x 3.30	N
6	06843		Rear Fender	N					
7	725-0533		Tail Light Ass'y. Comp.	N	37	710-0189		Hex Scr. 5/16-18 x 3.0" Lg.	
	725-0534		Tail Light Bulb—6V-5W (Tail)	N	38	732-0146		Extension Spring .75 O.D. x 4.32" Lg.	
	725-0535		Tai Light Bulb—6V-10W (Brake)	N	39	710-0378		Hex Scr. 5/16-18 x 2.5" Lg.*	
				N	40	751-0115		Gas Line 1/4" I.D. x .38 O.D. x 6.0" Lg.	N
8	248-10-01		Tail Light Lens	N					
	710-0258		Hex Scr. 1/4-20 x .62" Lg.*		41	751-0220		Gas Valve M12 x 1	
9	736-0175		L-Wash. .270 I.D.		42	736-0119		L-Wash. 5/16" Scr.*	
10	712-0287		Hex Nut 1/4-20 Thd.*		43	712-0267		Hex Nut 5/16-18 Thd.*	
11	710-0459		Hex Scr. 3/8-24 x 1.50" Lg.*		44	750-0347		Rear Fork Spacer .62 O.D. x .38 I.D.	N
12	736-0105		Bell-Wash. .400 I.D.						
13	745-0168		Shock Absorber	N	45	748-0141		Sleeve Brg. .630 I.D.	
14	06847		Chain Adjuster		46	712-0375		Hex Cent. L-Nut 3/8-16 Thd.	
15	710-0668		Hex Scr. 1/2-20 x 6.5" Lg.	N	47	712-0214		Hex Top L-Nut 3/8-16 Thd.	
16	736-0105		Bell-Wash. .400 I.D.		48	710-0152		Hex Scr. 3/8-24 x 1.00" Lg.*	
17	712-0214		Hex Cent. L-Nut 3/8-24 Thd.		49	710-0459		Hex Scr. 3/8-24 x 1.50" Lg.*	
18	06831		Rear Fork Ass'y.	N	50	710-0593		Hex Scr. 1/4-20 x 1.00" Lg.*	
19	736-0105		Bell-Wash. .400 I.D.		51	736-0175		L-Wash. .270 I.D.	
20	710-0411		Hex Scr. 3/8-16 x 4.00" Lg.		52	712-0287		Hex Nut 1/4-20 Thd.*	
21	710-0597		Hex Scr. 1/4-20 x 1.00" Lg.*		54	726-0165		Cable Clamp	
22	712-0267		Hex Nut 5/16-18 Thd.*		55	731-0307		Snap Bushing	
23	736-0119		L-Wash. 5/16" Scr.*		56	751-0214		Pedal Cranks (Set of R.H. and L.H.)	N
24	712-0267		Hex Nut 5/16-18 Thd.*						
25	06859		Muffler Tube	N	57	724-0156		Pedals (Set of R.H. and L.H.)	N
26	751-0213		Muffler	N	58	06825		Frame Ass'y.	N
27	712-0287		Hex Nut 1/4-20 Thd.*		59	745-0166		Gas Tank Cap	N
28	736-0329		L-Wash. 1/4" Scr.*		60	757-0281		Seat Post	N
29	751-0219		Muffler Tub	N	61	710-0286		Truss Mach. Scr. 1/4-20 x .50" Lg.*	
30	SA-0251-113-105		Clamp Ass'y.—Pipe Clamp		62	06848		Cover—R.H.	N
31	06835		Kickstand Ass'y.	N	63	736-0264		FI-Wash. .330 I.D. x .630 O.D.	
					64	712-0213		Binder Nut 5/16-24 Thd.	

\* For faster service, obtain standard nuts, bolts and washers locally. If these items cannot be obtained locally, order by part number and size, as shown on parts list.

2220
2221
8220
8221
36900-7
36902-7

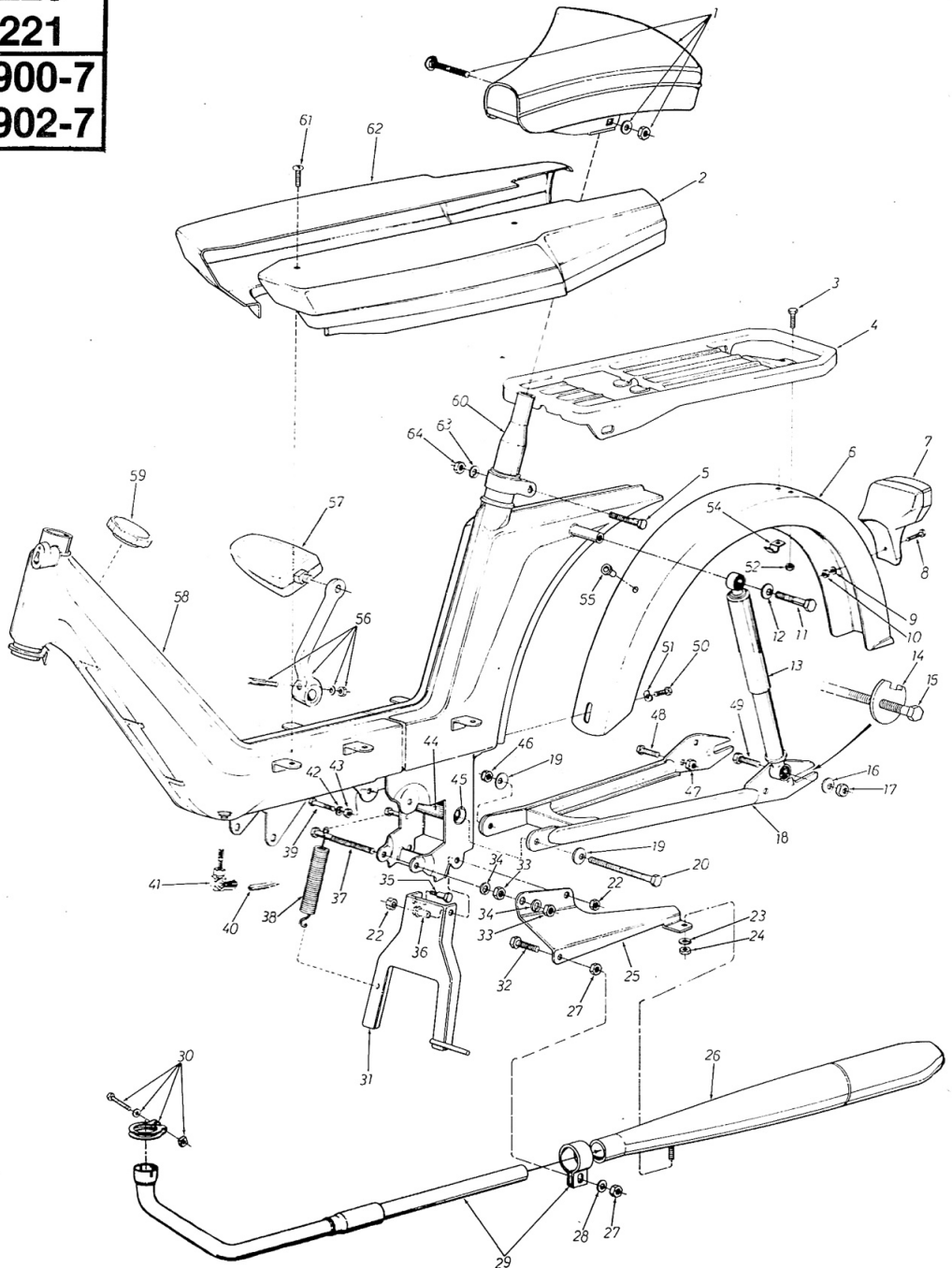


**INTAKE SILENCER**

**PARTS LIST FOR SACHS ENGINE MODEL NO. 505/1A**

REF. NO.	PART NO.	DESCRIPTION
1	SA-0281 124 005	Carburetor Ass'y.
2	SA-0291 004 000	Cable
3	SA-0291 024 011	Outer Casing
4	SA-0250 160 000	Round Sealing Ring 17 x 1.5
5	SA-0225 007 100	Intake Silencer Housing
6	SA-0239 138 000	Pressure Spring
7	SA-0225 009 000	Starting Slide
8	SA-0244 160 000	Shim
9	SA-2015 007 004	Fillister Hd. Scr. M5 x 10
10	751-0227	Carburetor Insert
11	SA-0225 010 100	Micronic Air Filter, Intake
12	SA-0225 008 005	Intake Silencer Cap
13	SA-0239 139 000	Stirrup

2220
2221
8220
8221
36900-7
36902-7



MAIN FRAME

**PARTS LIST FOR MOPED MODEL  
NO. 2220, 2221, 8220, 8221, 36900-7 AND 36902-7**

REF. NO.	PART NO.	COLOR CODE	DESCRIPTION	NEW PART
1	06845		Handle Bar	N
2	710-0299		Hex Scr. 1/4-28 x 1.00" Lg.	
3	741-0218		Head Tube Bearing Set	N
4	745-0167		Rear View Mirror	N
5	06852		Telescope Fork	
6	730-0114		Side Reflector 2.0" Dia. Amber	
7	710-0302		Hex Wash. Hd. Thd. Forming Scr. #10-24 x .50" Lg.*	
8	732-0340		Spring	N
9	731-0400		Bushing Nylon	N
10	06827		Fork Extension—L.H.	N
	06828		Fork Extension—R.H. (Not Shown)	N
11	06838		Front Fender w/ Brace	N
12	731-0401		Rubber Boot	N
13	710-0289		Hex Scr. 1/4-20 x .50" Lg.*	
14	710-0258		Hex Scr. 1/4-20 x .62" Lg.*	
16	712-0287		Hex Nut 1/4-20 Thd.*	
17	745-0171		Speedometer Gear Box	N
18	745-0170		Speedometer Cable 650 mm	N
21	725-0532		Headlight	N
22	745-0169		Speedometer	N
23	—		Comes with Ref. No. 21	
24	736-0250		Fl-Wash. 1.062 I.D. x 1.750 O.D. x .100	
25	736-0329		L-Wash. 1/4" Scr.*	N
26	741-0219		Steel Ball .125" Dia.	N
27	06858		Handle Bar Plate	N

\*For faster service, obtain standard nuts, bolts and washers locally. If these items cannot be obtained locally, order by part number and size, as shown on parts list.

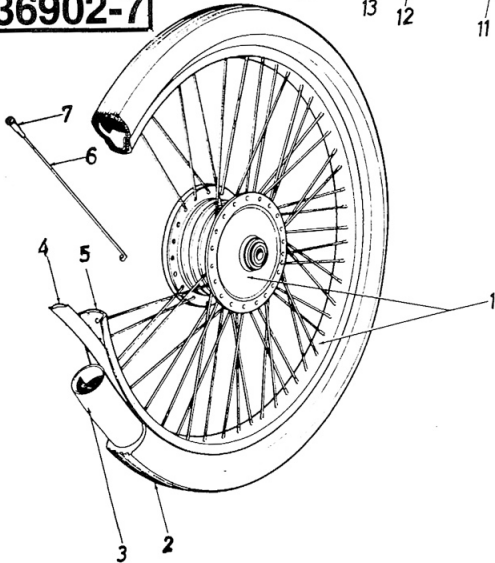
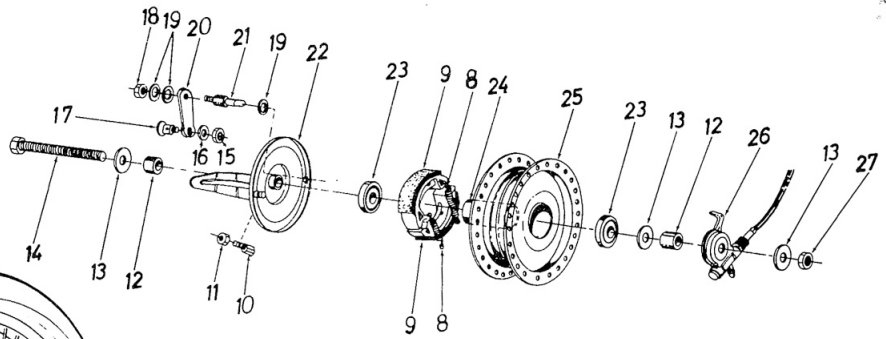


**NOTE**

When ordering parts if color or finish is important, use color codes shown below.

- |                       |                        |
|-----------------------|------------------------|
| 21—Orchid Violet      | 60—Radiant Earth Brown |
| 41—Radiant Blue       | 66—Radiant Silver      |
| 46—Goldenrod          | 68—Mat Blue            |
| 48—Mod Blue           | 69—Citron Green        |
| 52—Tangerine (Y. Red) | 70—Radiant Red         |
| 53—White              | 82—Lusty Yellow        |

**2220**  
**2221**  
**8220**  
**8221**  
**36900-7**  
**36902-7**

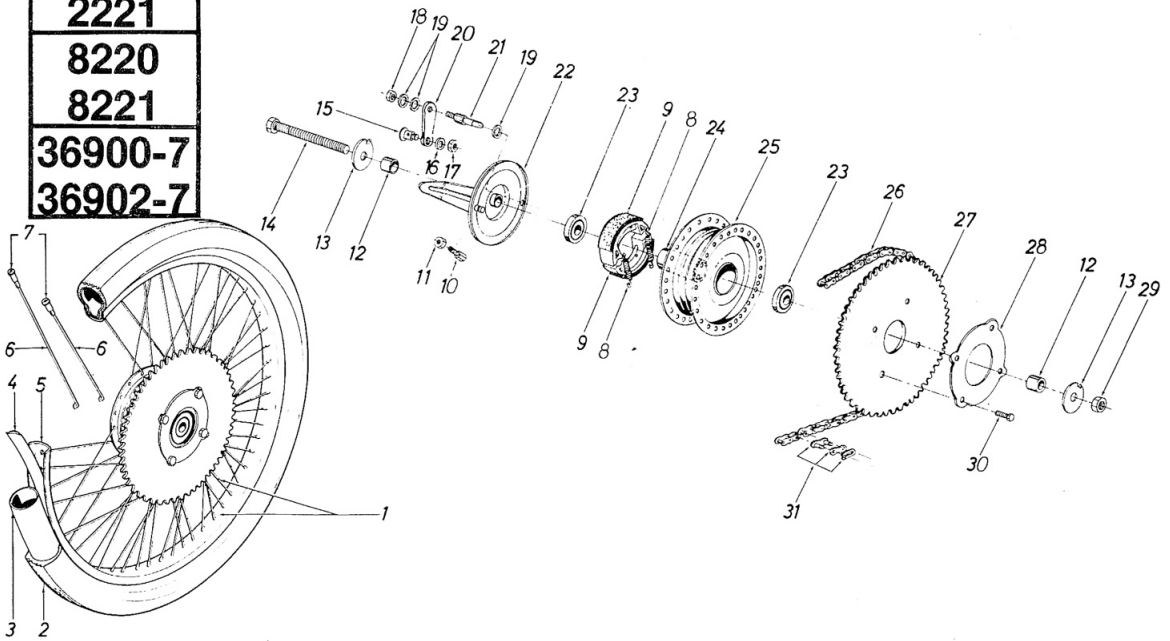


**FRONT WHEEL BREAKDOWN**

**PARTS LIST FOR FRONT WHEEL ASSEMBLY 734-0772**

REF. NO.	PART NO.	COLOR CODE	DESCRIPTION	REF. NO.	PART NO.	COLOR CODE	DESCRIPTION
1	734-0772		Front Wheel Ass'y. Less Tire 21 x 2.25	15	SU-737-010-010-1		Clamp Nut
2	734-0774		Tire Only—21 x 2.25	16	SU-737-006-010-1		Clamp Wash.
3	734-0775		Tube Only—21 x 2.25	17	SU-737-017-010-1		Clamp Bolt
4	734-0776		Rim Band	18	SU-737-010-010-1		Nut
5	SU-842182		Rim Only	19	SU-737006-010-1		Washer
6	SU-358584-000-1		Spoke (36 Required)	20	SU-737003-010-1		Brake Lever Arm
7	SU-357062-105-1		Nipple (36 Required)	21	SU-737008-010-1		Actuator Cam
8	SU-737002-010-1		Springs	22	SU-737034		Mtg. Arm and Backing Plate
9	SU-737001-010-1		Brake Shoe	23	SU-755-001-084-1		Ball Bearings
10	SU-737-008-010-1		Adjusting Screw (Cable)	24	SU-740000-031-1		Sleeve Spacer, Hub
11	SU-737-010-010-1		Locknut (Cable)	25	SU-736-022-000-1		Front Hub Ass'y. w/ Brake
12	711-0241		Spacer .515 I.D. x .825 O.D. x .505 Lg.	26	745-0171		Speedometer Gear Box
13	736-0272		Fl-Wash. .51 I.D. x 1.00 O.D. x .060	27	712-0285		Hex Cent. L-Nut 1/2-20 Thd.
14	710-0506		Hex Scr. 1/2-20 x 5.5" Lg. (Front Axle)				

**2220**  
**2221**  
**8220**  
**8221**  
**36900-7**  
**36902-7**

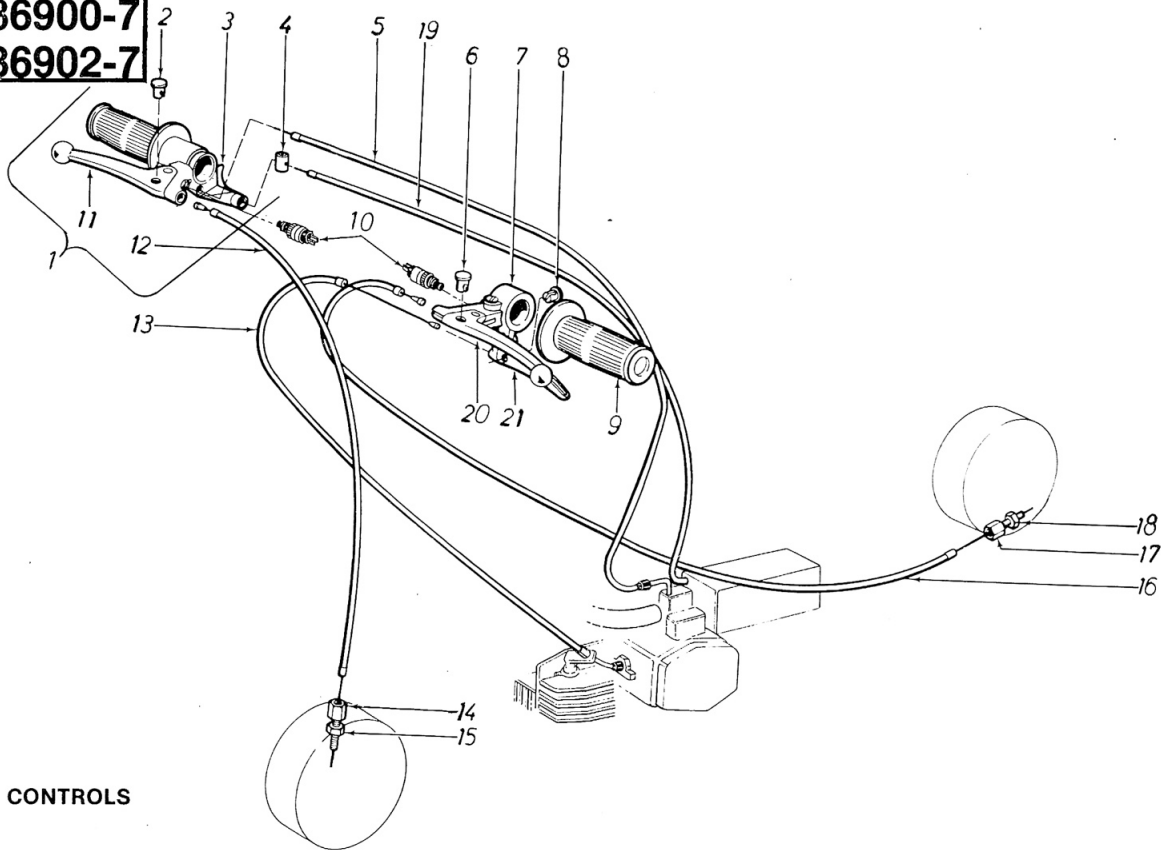


**REAR WHEEL BREAKDOWN**

**PARTS LIST FOR REAR WHEEL ASSEMBLY 734-0773**

REF. NO.	PART NO.	DESCRIPTION	REF. NO.	PART NO.	DESCRIPTION
1	734-0773	Rear Wheel Ass'y. Comp.	23	SU-755-001-084-1	Ball Bearing
2	734-0774	Tire Only 21 x 2.25	24	SU-740-000-009-1	Sleeve Spacer
3	734-0775	Tube Only 21 x 2.25	25	SU-735-034-000-1	Rear Hub Ass'y. w/ Brake and Sprocket Hub
4	734-0776	Rim Band	26	713-0191	#420 Chain 1/2" Pitch x 103 Links
5	SU-842182	Rim Only	27	SU-850-201-000-1	Sprocket
6	SU-358584-000-1	Spoke (36 Required)	28	SU-720-225-600-1	Locknut Ring
7	SU-357062-105-1	Nipple (36 Required)	29	712-0285	Hex Cent. L-Nut 1/2-20 Thd.
8	SU-737-002-010-1	Springs	30	SU-722-213-659-1	Hex Screw
9	SU-737-001-010-1	Brake Shoe	31	713-0154	#420 Master Link 1/2" Pitch Type II
10	SU-737-008-010-1	Adjusting Screw (Cable)	26	713-0217	#420 Chain 1/2" Pitch x 105 Links (Models 2220, 8220 and 36900-7)
11	SU-737-010-010-1	Locknut (Cable)		713-0229	#420 Chain 1/2" Pitch x 109 Links (Models 2221, 8221 and 36902-7)
12	711-0241	Spacer .515 I.D. x .825 O.D. x .505" Lg.	27	713-0227	42 Tooth Sprocket (Models 2220, 8220 and 36900-7)
13	06847	Chain Adjuster		713-0228	48 Tooth Sprocket (Models 2221, 8221 and 36902-7)
14	710-0668	Hex Scr. 1/2-20 x 6.5" Lg. (Rear Axle)			
15	SU-737-017-010-1	Clamp Bolt			
16	SU-737-006-010-1	Clamp Wash.			
17	SU-737-010-010-1	Clamp Nut			
18	SU-737-010-010-1	Nut			
19	SU-737-006-010-1	Washer			
20	SU-737-003-010-1	Brake Lever Arm			
21	SU-737-008-010-1	Actuator Cam			
22	SU-737-009-010-1	Mtg. Arm and Backing Plate			

**2220**  
**2221**  
**8220**  
**8221**  
**36900-7**  
**36902-7**



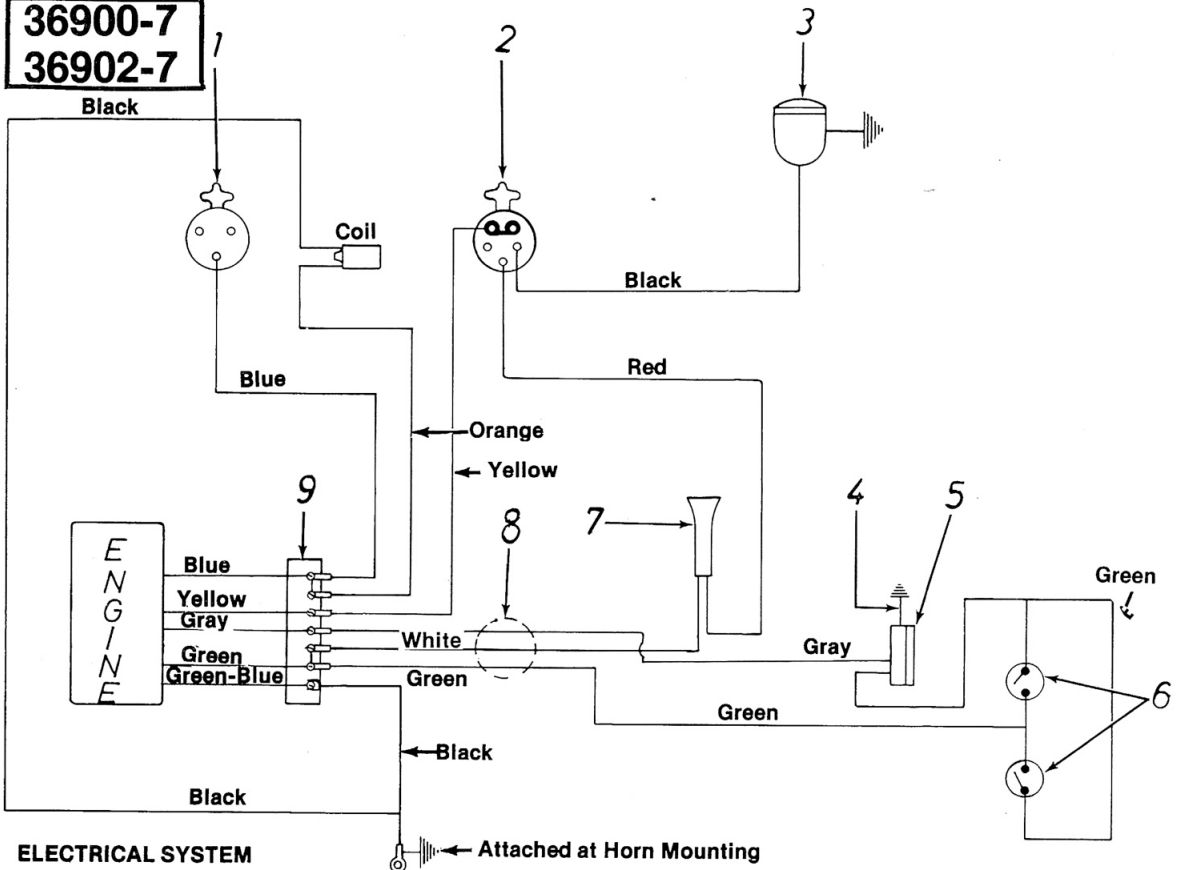
**PARTS LIST FOR MOPED MODELS 2220, 2221, 8220, 8221, 36900-7 AND 36902-7**

REF. NO.	PART NO.	COLOR CODE	DESCRIPTION	NEW PART	REF. NO.	PART NO.	COLOR CODE	DESCRIPTION	NEW PART
1	746-0284		Throttle Control Ass'y. Comp.		11	MA-270.1-03.7 TP		Brake Lever	
2	746-0286		Nipple Holder		12	746-0289		Brake Cable 36.9 (Front)	
3	MA-270.51-03.1 SZ		Choke Lever		13	746-0293		Compression Release Outer Casing 32.0	
4	746-0287		Screw on Nipple		14	SU-737-008-010-1		Adjusting Screw	
5	746-0291		Throttle Conduit 35.0		15	SU-737-010-010-1		Lock Nut	
6	746-0286		Nipple Holder		16	746-0290		Brake Cable 62.8 (Rear)	
7	746-0285		Brake Lever Control Comp.		17	SU-737-008-010-1		Adjusting Screw	
8	746-0286		Nipple Holder		18	SU-737-010-010-1		Lock Nut	
9	746-0288		Dummy Grip		19	746-0292		Choke Outer Casing 37.4	
10	MA-558.1		Switch		20	MA-210.1-03.7 TP		Brake Lever	
					21	MA-13.1-Z 3.2 SZ		Compression Lever	

\*For faster service, obtain standard nuts, bolts and washers locally. If these items cannot be obtained locally, order by part number and size, as shown on parts list.



2220
2221
8220
8221
36900-7
36902-7

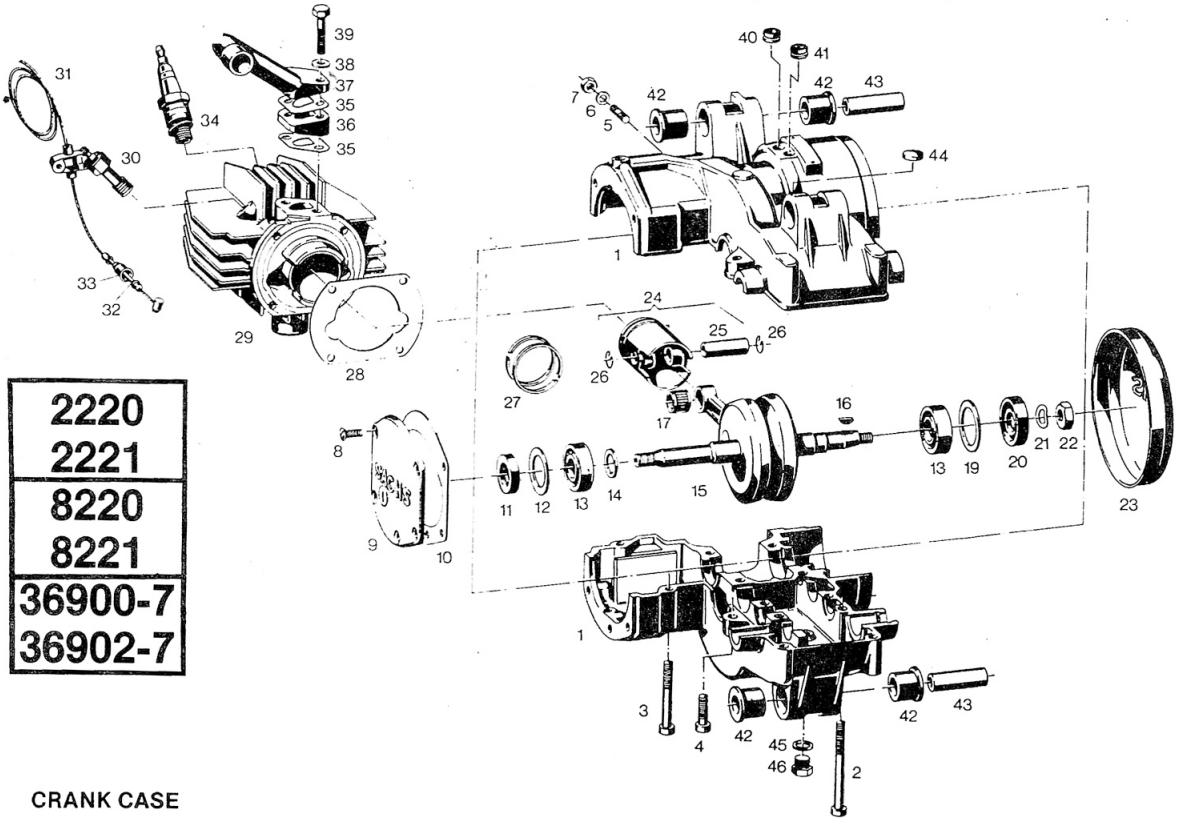


**PARTS LIST FOR MOPED MODEL NOS.  
2220, 2221, 8220, 8221, 36900-7 AND 36902-7**

REF. NO.	PART NO.	COLOR CODE	DESCRIPTION
1	725-0536		Kill Button Switch
2	725-0537		Accessory Switch
3	752-0532		Head Lamp Ass'y.
4	725-0541		Electric Wire
5	725-0533		Tail Lamp Ass'y.
6	725-0538		Brake Light Switch
7	725-0539		Horn
8	725-0540		Wire Harness
9	725-0552		Terminal Block Ass'y.

\*For faster service, obtain standard nuts, bolts and washers locally. If these items cannot be obtained locally, order by part number and size, as shown on parts list.

## Crankcase, Crankshaft, Piston, Cylinder, Decompressor, Intake Pipe



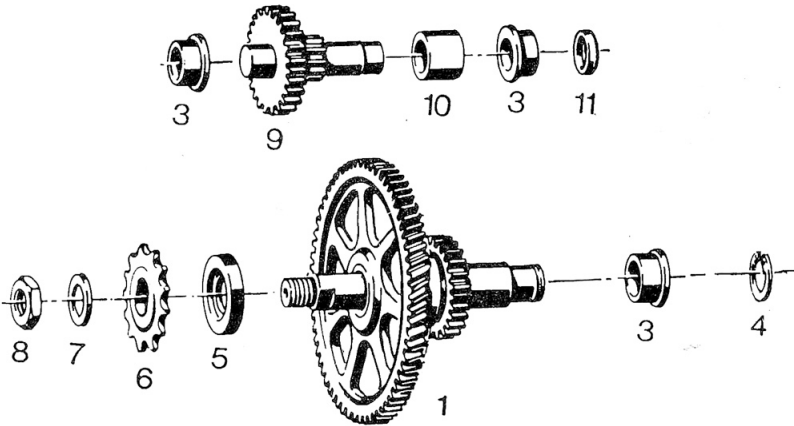
<b>2220</b>
<b>2221</b>
<b>8220</b>
<b>8221</b>
<b>36900-7</b>
<b>36902-7</b>

### CRANK CASE

### PARTS LIST FOR SACHS ENGINE MODEL NO. 505/1A

REF. NO.	PART NO.	DESCRIPTION	REF. NO.	PART NO.	DESCRIPTION
1	SA-0287 140 003	Crankcase Ass'y.	23	SA-0244 167 000	Cap
2	SA-0240 176 002	Fillister Hd. Scr. M6 x 70	24	SA-0286 378 005	Piston Ass'y. 38.0
3	SA-0640 003 002	Fillister Hd. Scr. M6 x 55	25	SA-0216 003 105	Gudgeon Pin
4	SA-0640 001 001	Fillister Hd. Scr. M6 x 22	26	SA-0245 000 000	Wire Spring Ring
5	SA-0240 058 101	Stud M6 x 20	27	SA-0215 009 000	Piston Ring 38.0
6	SA-0944 142 002	Wash. 6.2 x 12 x 1.5	28	SA-0250 154 000	Gasket
7	SA-0316 057 002	Hex Nut M6	29	SA-0213 146 215	Cylinder
8	SA-0640 027 000	Oval Hd. Scr. M5 x 14	30	SA-0291 022 200	Decompressor
9	SA-0277 117 000	Cover Ass'y. w/1X0250 131 000 Gasket	31	SA-0291 021 000	Cable Ass'y.
10	SA-0250 155 200	Gasket	32	SA-0291 024 011	Outer Casting
11	SA-0230 107 000	Oil Seal 15 x 30 x 5.5	33	SA-0660 018 000	Protective Cap
12	SA-0246 008 003	Wash. 25.3 x 34 x 0.2	34	SA-0998 004 001	Spark Plug 175T1
13	SA-0232 120 001	Grooved Ball Brg. 6202C3 Din 625	35	SA-0250 156 100	Gasket
14	SA-0246 009 001	Wash. 15.3 x 20 x 0.5	36	SA-0211 152 000	Intermediate Flange
15	SA-0288 114 000	Crankshaft	37	SA-0267 114 201	Intake Pipe
16	SA-0246 005 000	Woodruff Key 3 x 3.7	38	SA-0244 100 008	Wash. 6.2 x 10 x 1
17	SA-0232 157 001	Needle Cage 12 x 15 x 13	39	SA-0940 085 102	Hex Scr. M6 x 35
19	SA-0244 153 000	Wash. 30 x 36.8 x 1.5	40	SA-0960 136 000	Rubber Grommet
20	SA-0230 106 000	Oil Seal 15 x 35 x 7	41	SA-0260 020 000	Rubber Grommet
21	SA-0245 022 000	Spring Wash. for M10 x 1	42	SA-0251 121 000	Rubber Mounting Bush.
22	SA-0942 072 100	Collar Nut M10 x 1	43	SA-0247 144 100	Distance Tube
			44	SA-0244 168 000	Closing Cap 13
			45	SA-1950 023 000	Sealing Ring 10.5 x 14 x 1
			46	SA-1726 080 100	Scr. Plug M10 x 1

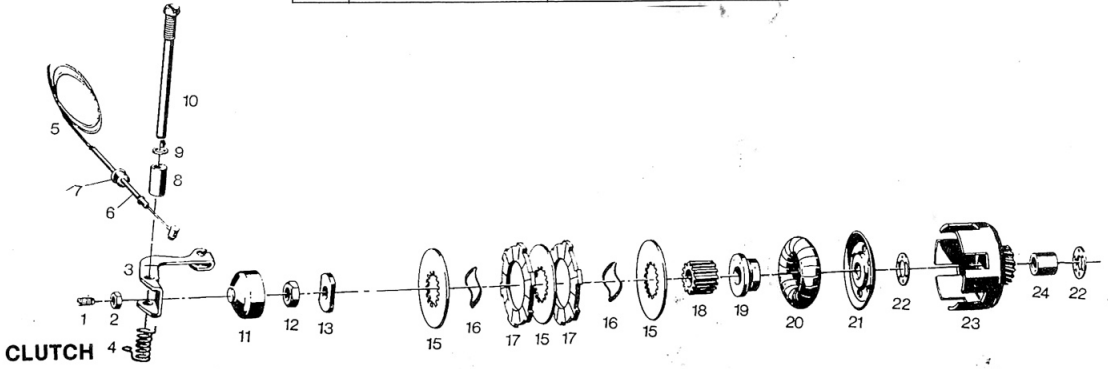
2220  
2221  
8220  
8221  
36900-7  
36902-7



**GEAR BOX**

**PARTS LIST FOR SACHS ENGINE MODEL NO. 505/1A**

REF. NO.	PART NO.	DESCRIPTION
1	SA-0285 122 001	Mainshaft Ass'y.
3	SA-0232 155 000	Bushing
4	SA-0245 121 000	Circlip
5	SA-0230 108 000	Oil Seal 15 x 32 x 5.5
6	SA-0236 105 101	Sprocket 11 Teeth
7	SA-0246 056 000	Washer
8	SA-0642 005 101	Hex Nut M12 x 1
9	SA-0285 120 000	Gearshaft Ass'y. w/Fixed Gear
10	SA-0247 105 000	Bush. 13.6 x 18 x 14.3
11	SA-0244 164 000	Closing Cap 18

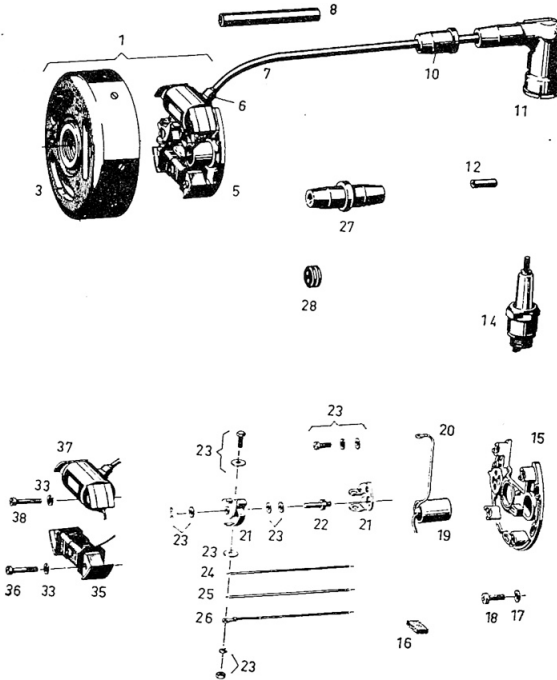


**CLUTCH**

**PARTS LIST FOR SACHS ENGINE MODEL NO. 505/1A**

REF. NO.	PART NO.	DESCRIPTION	REF. NO.	PART NO.	DESCRIPTION
1	SA-0640 107 100	Threaded Pin M8 x 1 x 13.5	12	SA-0242 000 000	Hex Nut M10 x 1
2	SA-0242 121 000	Hex Nut M8 x 1	13	SA-0244 157 000	Washer
3	SA-0248 150 200	Clutch Lever	15	SA-0258 014 101	Int. Plate 2.5 mm Thick
4	SA-0239 136 200	Torsion Spring	16	SA-0245 122 100	L-Wash.
5	SA-0291 021 000	Cable Ass'y.	17	SA-0258 015 000	External Plate
6	SA-0291 024 011	Outer Casing	18	SA-0258 012 000	Clutch Hub
7	SA-0660 018 000	Protective Cap	19	SA-0247 141 000	Ring
8	SA-0247 140 000	Bushing 7.6 x 12 x 21.2	20	SA-0284 015 000	Centrifugal Weight Ass'y.
9	SA-1950 024 000	Sealing Ring	21	SA-0258 016 000	Clutch Plate
10	SA-0240 181 102	Fillister Hd. Scr. M8 x 1	22	SA-0244 112 000	Wash. 11.9 x 23 x 1
11	SA-0284 016 000	Pressure Cup	23	SA-0284 014 000	Clutch Case
			24	SA-0232 132 101	Bushing 11.7 x 16 x 16.5

2220
2221
8220
8221
36900-7
36902-7

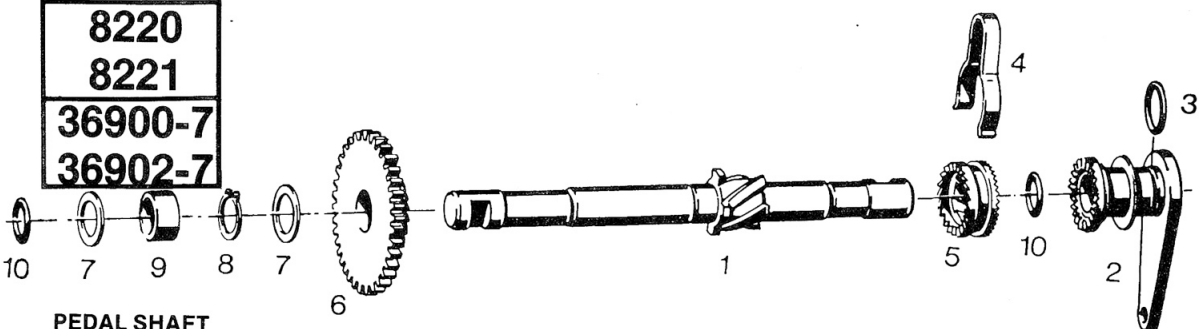


**MAGNETO-GENERATOR**

**PARTS LIST FOR SACHS ENGINE MODEL NO. 505/1A**

REF. NO.	PART NO.	DESCRIPTION	REF. NO.	PART NO.	DESCRIPTION
1		Magneto-Generator 6 Volt 22/5/10 Watts	20	SA-0265 077 001	Connecting Cable to Condenser
3	SA-0286 175 005	Flywheel	21	SA-0983 106 000	Set of Contact Breakers
5	SA-0286 254 008	Armature Base Plate Ass'y.	22	SA-0240 066 009	Bearing Pin
6	SA-2865 003 000	Protective Cap	23	SA-0283 107 000	Set of Spares for Contact Breakers
7	SA-0965 133 001	Ignition Cable	24	SA-0299 059 009	Lighting Cable
8	SA-0260 121 001	Insulating Hose	25	SA-0299 059 016	Rear Light Cable
10	SA-0265 109 000	Protective Cap	26	SA-1483 009 000	Short-Circuiting Cable
11	SA-0265 100 100	Spark Plug Connector	27	SA-0265 073 000	Cable Terminal
12	SA-0960 116 000	Bushing	28	SA-0260 020 000	Rubber Grommet
14	SA-0998 004 001	Spark Plug W175T1	33	SA-0245 023 000	Spring Ring For M4
15	SA-0265 140 005	Armature Base Plate	35	SA-0265 113 003	Generating Armature
16	SA-2865 008 000	Lubricating Pad	36	SA-0241 032 000	Fillister Hd. Scr. M4 x 23
17	SA-0244 108 000	Wash. 4.1 x 9 x 1.2	37	SA-0265 142 000	Ignition Armature
18	SA-0240 106 100	Oval Hd. Scr. M4 x 14	38	SA-0240 105 000	Fillister Hd. Scr. M4 x 21
19	SA-0265 052 003	Condenser			

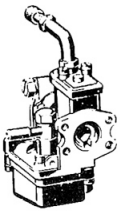
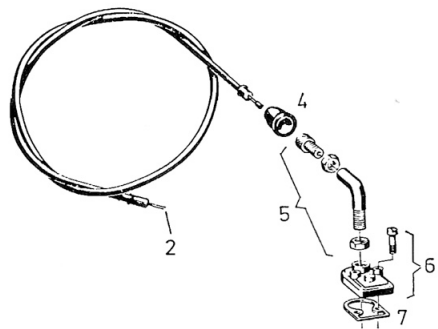
2220  
2221  
8220  
8221  
36900-7  
36902-7



PEDAL SHAFT

PARTS LIST FOR SACHS ENGINE MODEL NO. 505/1A

REF. NO.	PART NO.	DESCRIPTION
1	SA-0237 106 101	Pedal Shaft
2	SA-0285 120 000	Driver Bushing Ass'y.
3	SA-0250 165 000	Round Sealing Ring 19 x 2
4	SA-0239 051 001	Brake Spring
5	SA-0252 007 201	Driver
6	SA-0234 106 001	Starting Wheel
7	SA-0944 120 002	Washer 16.2 x 22 x 1
8	SA-0245 020 001	Circlip
9	SA-0247 149 000	Bushing 16.3 x 20 x 9.2
10	SA-0250 164 000	Round Sealing Ring 13 x 1.5



CARBURETOR

PARTS LIST FOR SACHS ENGINE MODEL NO. 505/1A

REF. NO.	PART NO.	DESCRIPTION
1	SA-0281 124 005	Carburetor Ass'y.
2	SA-0291 004 000	Cable
4	SA-0260 024 001	Protective Cap
5	SA-0261 143 000	Pipe Bend Ass'y.
6	SA-0261 144 000	Cover Plate w/ Fastening Scr.
7	SA-0250 162 000	Gasket
8	SA-0239 140 000	Slide Spring
9	SA-0244 109 000	Washer
10	SA-0261 018 000	Small Retaining Plate
11	SA-0261 006 004	Jet Needle, 36 mm Long
12	SA-0261 146 000	Throttle Valve
13	SA-0242 110 000	Cap Nut
14	SA-0962 013 000	Sealing Ring
15	SA-0261 125 000	Hose Connection
16	SA-0281 109 000	Tickler Ass'y. w/ Spring and Forelock
17	SA-0962 066 000	Clamping Scr.
18	SA-0962 065 000	Adjusting Scr.
19	SA-0962 090 000	Spring
21	SA-0250 161 000	Gasket
22	SA-0261 142 000	Needle Jet 2.17
23	SA-0961 151 000	Main Jet
24		Available Only Under Ref. 25
25	SA-0281 125 000	Float Assy'. w/ Float Needle and Pin
26	SA-0261 145 000	Screening Sleeve
27	SA-0261 141 000	Float Chamber
28	SA-0245 023 000	Spring Ring for M4
29	SA-0241 028 001	Fillister Hd. Scr.

